



M I L L E R ' S

Presentation Furniture



Media Mate

Data Sheet



MILLER'S

Presentation Furniture

Dimensions

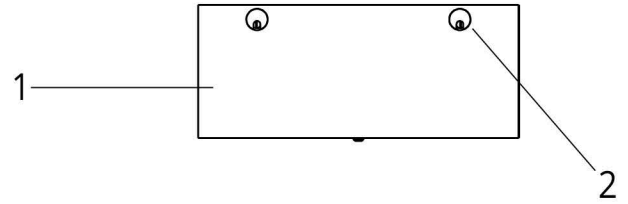
30" W x 12.5" D x 35" H

Rackspace: 5RU on Left & Right Side

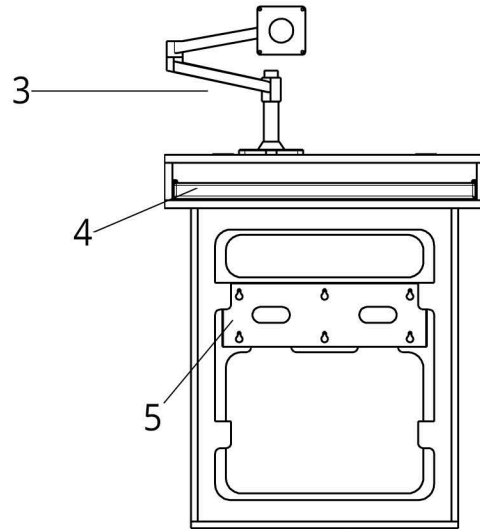
Technical Specifications

1	Flat top of Matching Laminate
2	Cable Grommets installed in Top Surface
3	Optional Monitor Arm Installed
4	Optional Keyboard Tray Installed
5	Optional 3 or 4 RU Vertical Frame Installed
6	Z-Clip Mounting Hardware Included

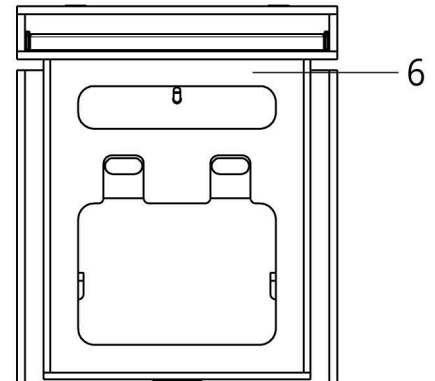
Top



Front



Back

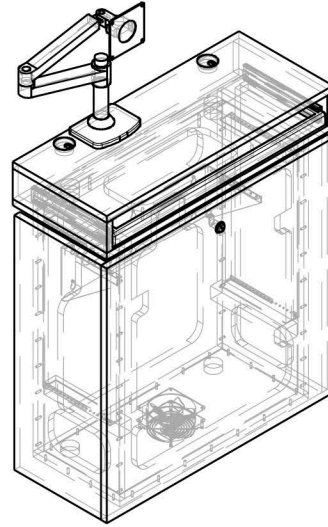




MILLER'S

Presentation Furniture

Isometric View
(Hidden lines shown)

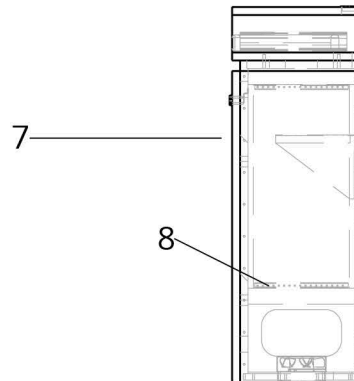


Technical Specifications

7	Locking Removable Access Panel
8	5RU Rack Rail Left & Right
9	Cable Passthrough Throughout
10	Instaled Quiet Fan in Bottom

Side

(Sidepanel hidden)



Bottom

