



M I L L E R ' S

Presentation Furniture



Instructor Series 36" - Level 3
Data Sheet



MILLER'S

Presentation Furniture

Dimensions

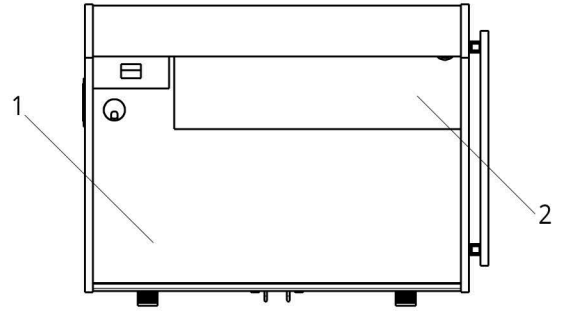
36" W x 30" D x 48" H

Rackspace: 16RU Front & 16RU Rear

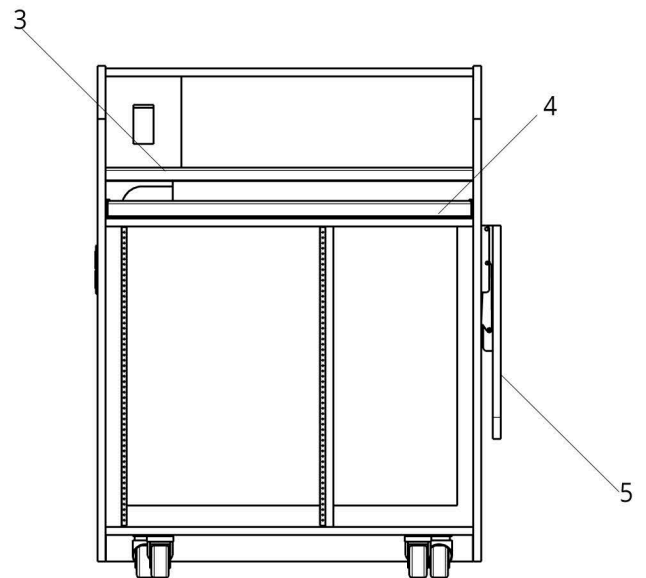
Technical Specifications

1	Flat Worksurface made of P-Lam
2	Split Sloped Dash & Monitor Well
3	Hardwood Pencil Lip
4	Sliding Keyboard/Mouse Shelf
5	Flip Up Side Shelf
6	Locking Removable Access Panel
7	Installed Quiet Fan

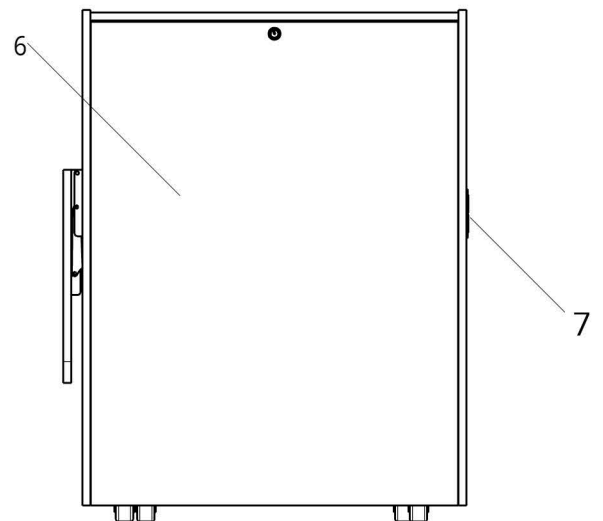
Top



Front



Back

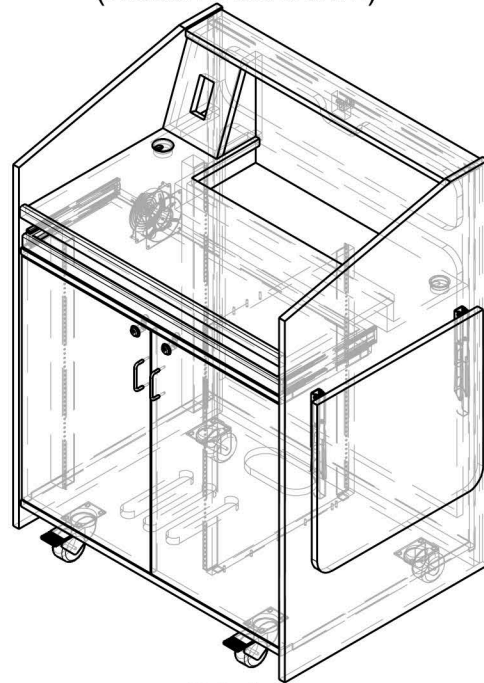




MILLER'S

Presentation Furniture

Isometric View
(Hidden lines shown)

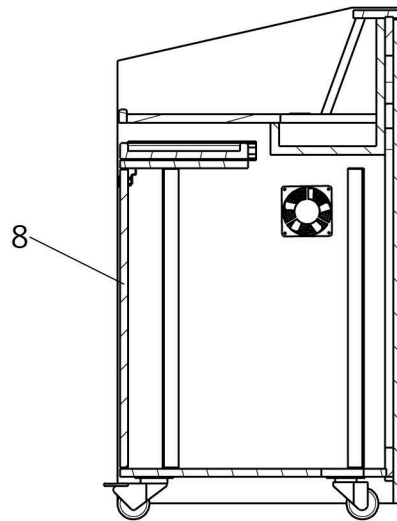


Side

(Sidepanel hidden)

Technical Specifications

8	Hinged Locking Door
9	Ventilation Slots
10	HD Casters User Side Locking
11	Cable Pass



Bottom

