



M I L L E R ' S

Presentation Furniture



Instructor Series 32" - Level 3

Data Sheet



MILLER'S

Presentation Furniture

Dimensions

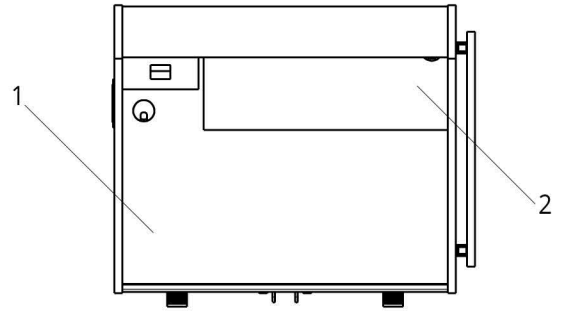
32" W x 27" D x 48" H

Rackspace: 16RU Front & 16RU Rear

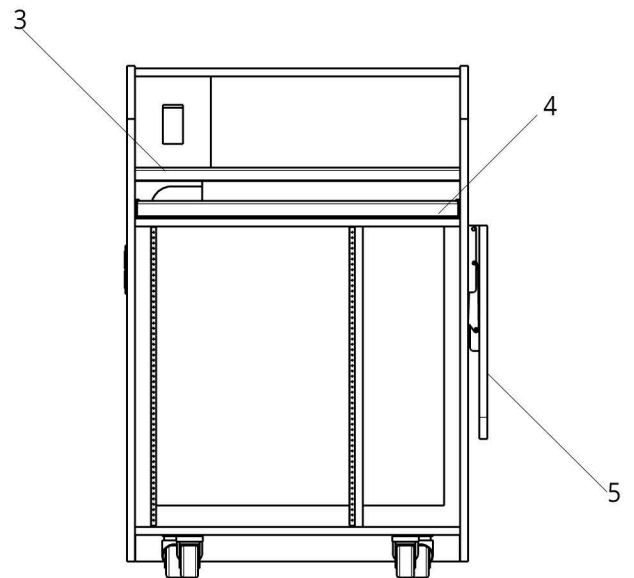
Technical Specifications

| | |
|---|----------------------------------|
| 1 | Flat Worksurface made of P-Lam |
| 2 | Split Sloped Dash & Monitor Well |
| 3 | Hardwood Pencil Lip |
| 4 | Sliding Keyboard/Mouse Shelf |
| 5 | Flip Up Side Shelf |
| 6 | Locking Removable Access Panel |
| 7 | Installed Quiet Fan |

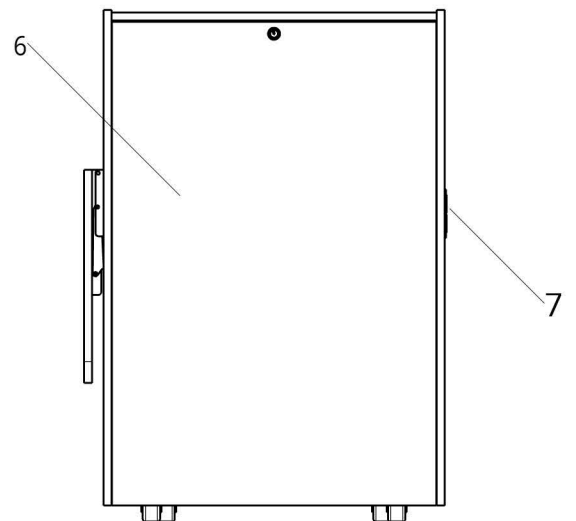
Top



Front



Back

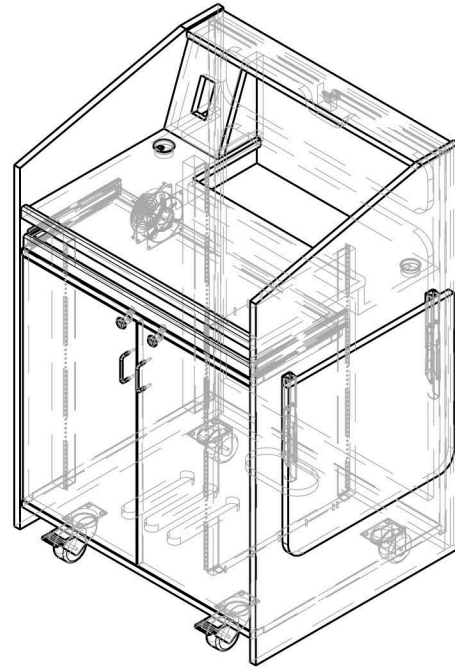




MILLER'S

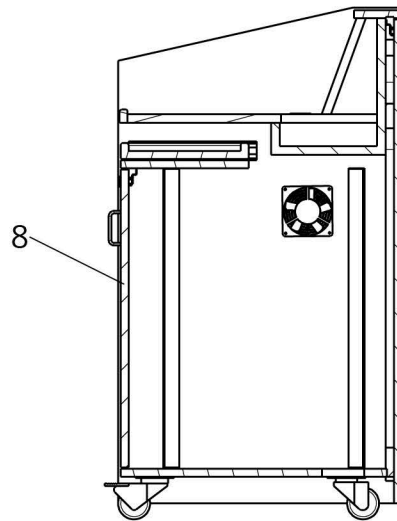
Presentation Furniture

Isometric View
(Hidden lines shown)

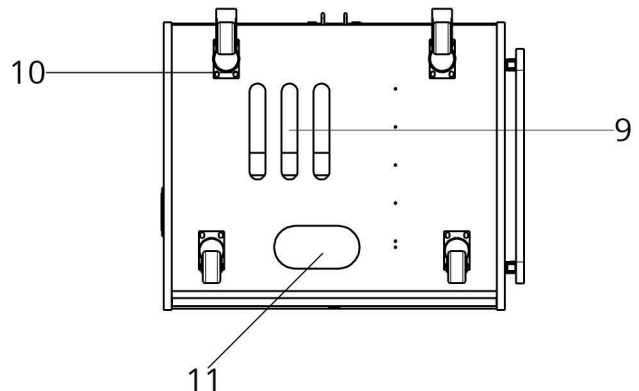


Side

(Sidepanel hidden)



Bottom



Technical Specifications

| | |
|----|------------------------------|
| 8 | Hinged Locking Door |
| 9 | Ventilation Slots |
| 10 | HD Casters User Side Locking |
| 11 | Cable Pass |