

M I L L E R ' S

Presentation Furniture



Instructor Series 25" - Level 3
Data Sheet



MILLER'S

Presentation Furniture

Dimensions

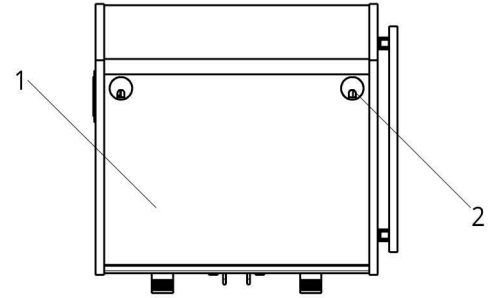
25" W x 24" D x 45" H

Rackspace: 16RU Front & 16RU Rear

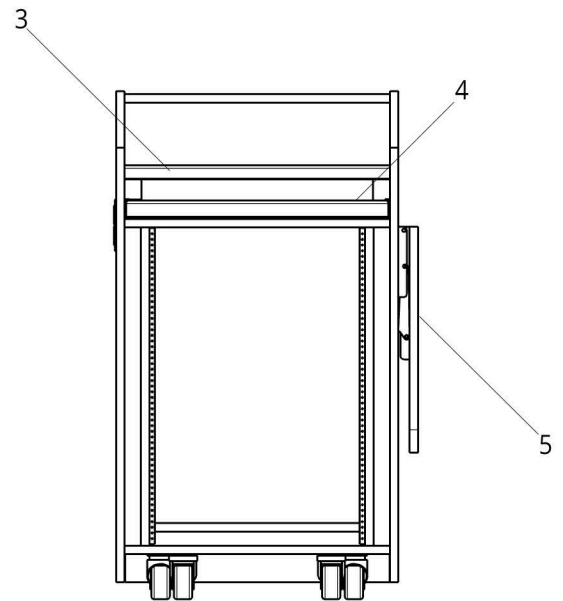
Technical Specifications

1	Flat Worksurface made of P-Lam
2	Cable Grommits in Worksurface
3	Hardwood Pencil Lip
4	Sliding Keyboard/Mouse Shelf
5	Flip Up Side Shelf
6	Locking Removable Access Panel
7	Installed Quiet Fan

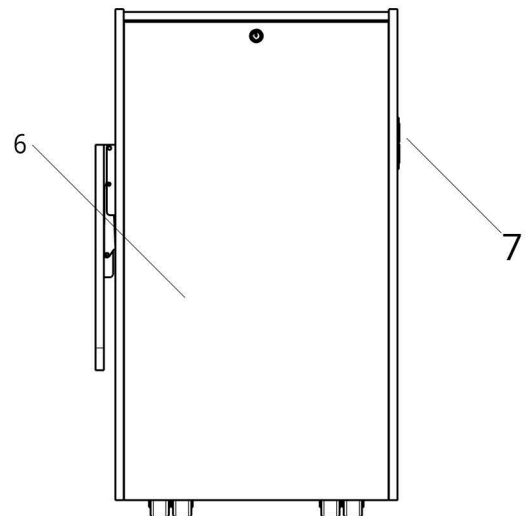
Top



Front



Back

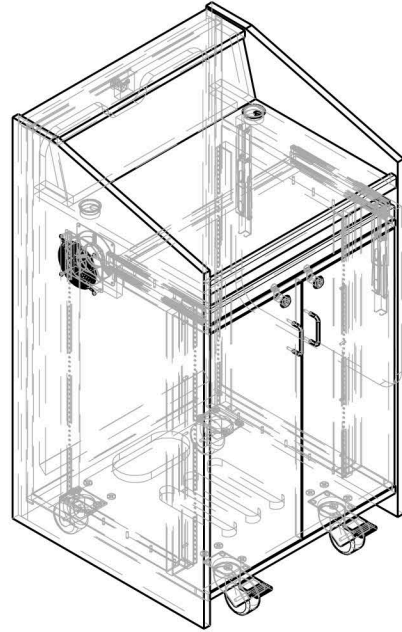




MILLER'S

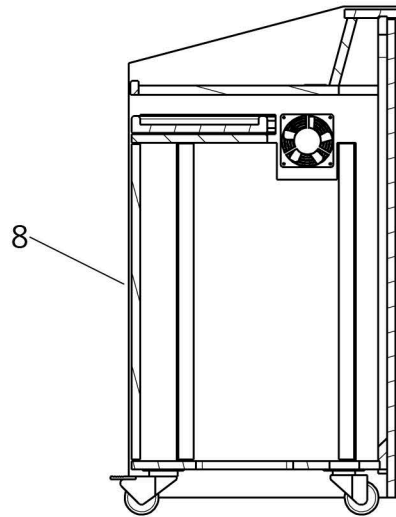
Presentation Furniture

Isometric View
(Hidden lines shown)

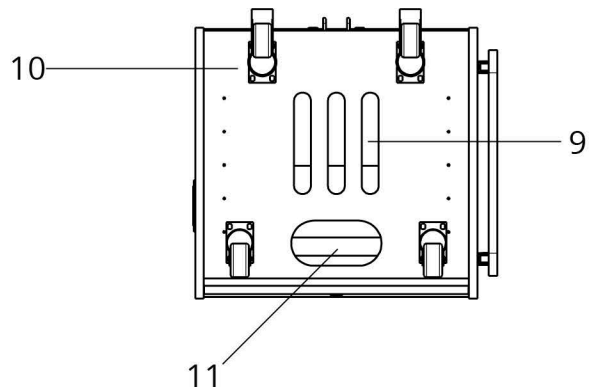


Side

(Sidepanel hidden)



Bottom



Technical Specifications

8	Hinged Locking Door
9	Ventilation Slots
10	HD Casters User Side Locking
11	Cable Pass