



MILLER'S

Presentation Furniture



Instructor Series 25" - Level 2
Data Sheet



MILLER'S

Presentation Furniture

Dimensions

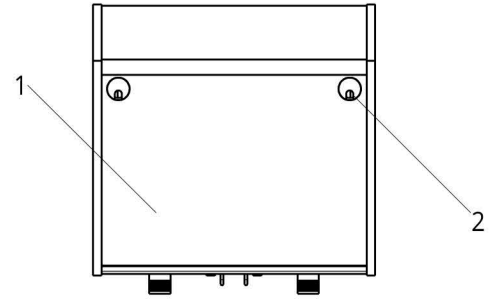
25" W x 24" D x 45" H

Rackspace: 16RU Front & 16RU Rear

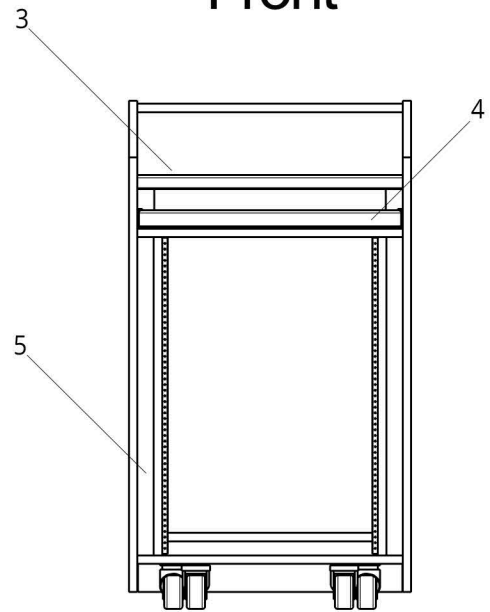
Technical Specifications

1	Flat Worksurface made of P-Lam
2	Cable Grommits in Worksurface
3	Hardwood Pencil Lip
4	Sliding Keyboard/Mouse Shelf
5	Installed Front/Rear Rack Rail 16RU
6	Locking Removable Access Panel

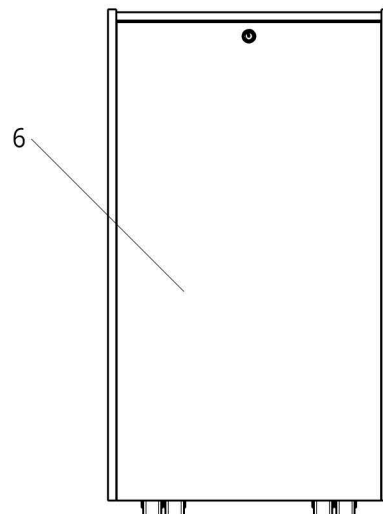
Top



Front



Back

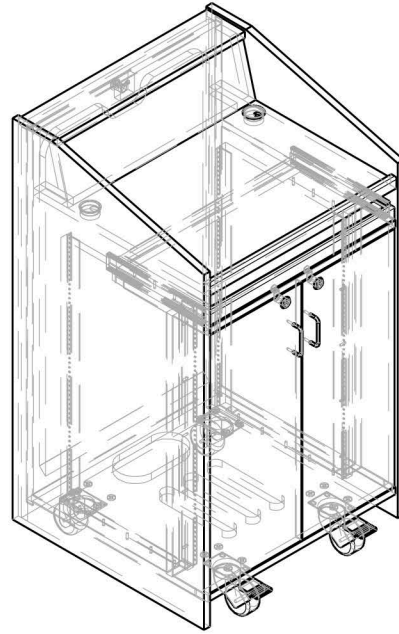




MILLER'S

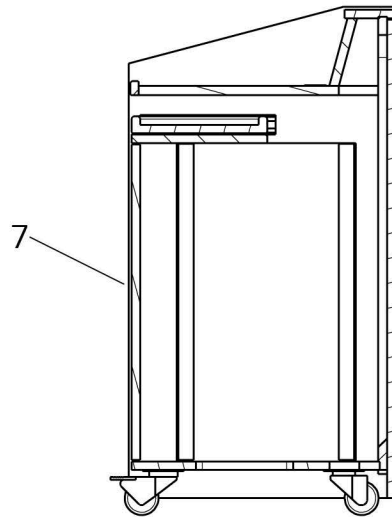
Presentation Furniture

Isometric View
(Hidden lines shown)

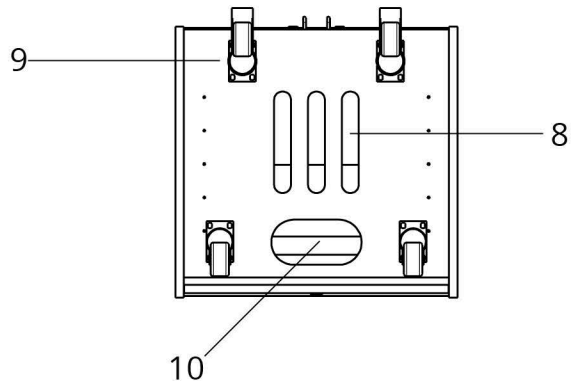


Side

(Sidepanel hidden)



Bottom



Technical Specifications

7	Hinged Locking Door
8	Ventilation Slots
9	HD Casters User Side Locking
10	Cable Pass