



M I L L E R ' S

Presentation Furniture



Instructor Series 25" - Level 1
Data Sheet



MILLER'S

Presentation Furniture

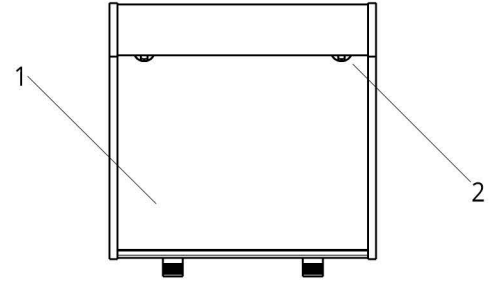
Dimensions

25" W x 24" D x 45" H

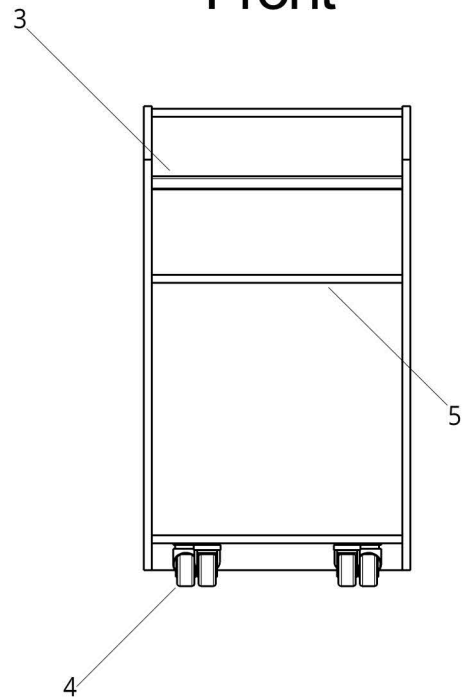
Technical Specifications

1	Flat Worksurface made of P-Lam
2	Cable Grommits in Worksurface
3	Hardwood Pencil Lip
4	Heavy Duty Casters User Side Locking
5	Fixed Shelf 8" below Worksurface

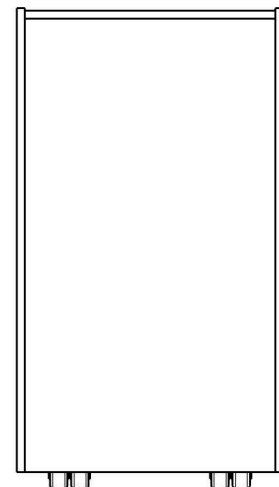
Top



Front



Back

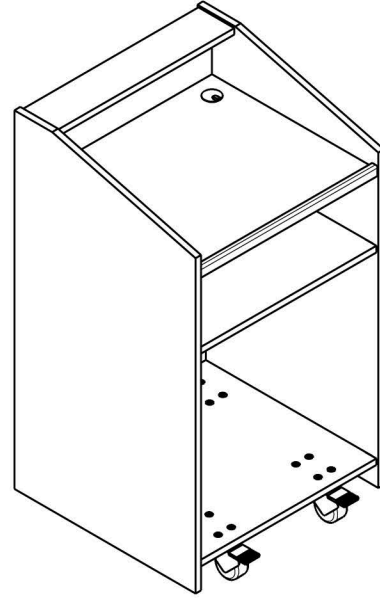




MILLER'S

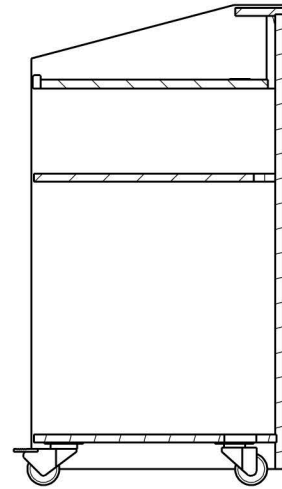
Presentation Furniture

Isometric View
(Hidden lines shown)

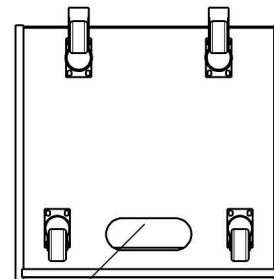


Side

(Sidepanel hidden)



Bottom



6

Technical Specifications

6	Cable Pass