

M I L L E R ' S

Presentation Furniture



Classroom Series 32" - WS 38"

Data Sheet



MILLER'S

Presentation Furniture

Dimensions

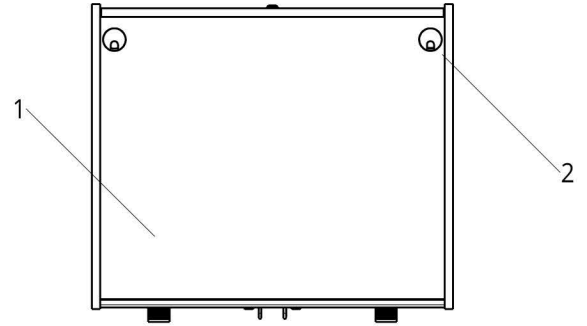
32" W x 27" D x 39" H

Rackspace: 16RU Front & 16RU Rear

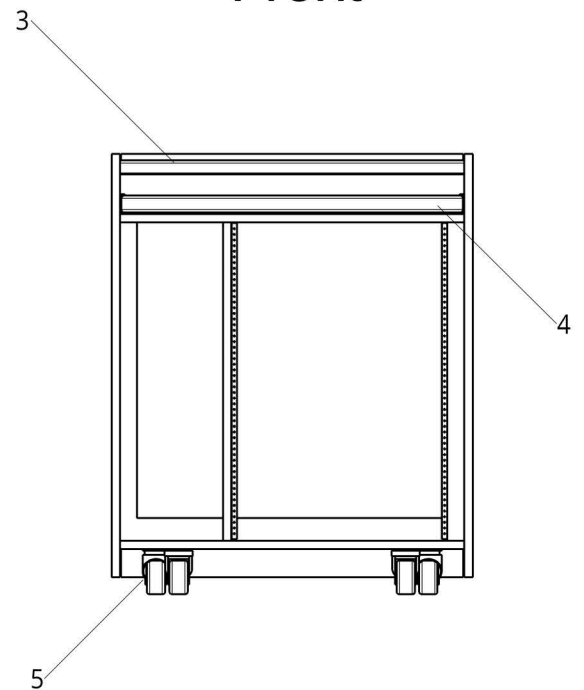
Technical Specifications

| | |
|---|--------------------------------------|
| 1 | Flat Worksurface made of P-Lam |
| 2 | Cable Grommits in Worksurface |
| 3 | Hardwood Pencil Lip |
| 4 | Slide Out Keyboard/Mouse Tray |
| 5 | Heavy Duty Casters User Side Locking |
| 6 | Locking Removable Access Panel |
| | |

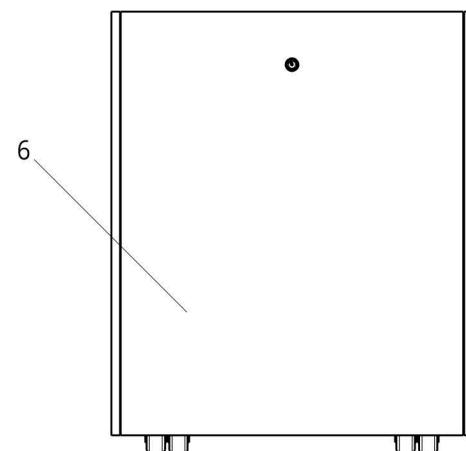
Top



Front



Back

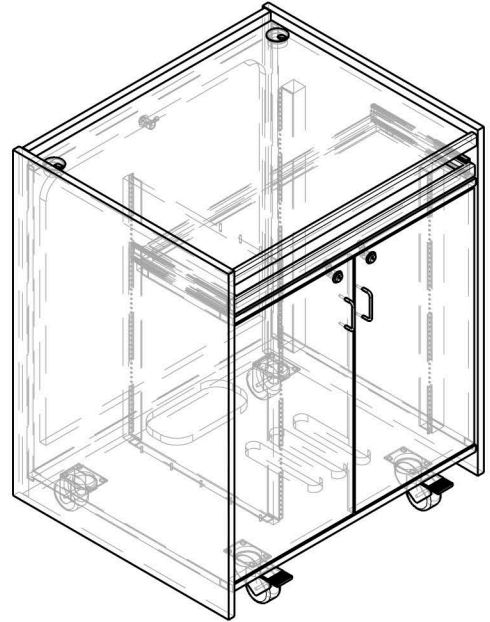




MILLER'S

Presentation Furniture

Isometric View
(Hidden lines shown)

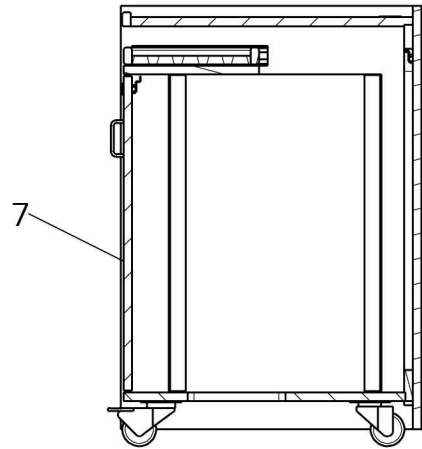


Technical Specifications

| | |
|---|---------------------|
| 7 | Hinged Locking Door |
| 8 | Ventilation Slots |
| 9 | Cable Pass |
| | |

Side

(Sidepanel hidden)



Bottom

