



# M I L L E R ' S

---

## Presentation Furniture



Classroom Series 32" - WS 34"  
Data Sheet



# MILLER'S

## Presentation Furniture

### Dimensions

32" W x 27" D x 35" H

Rackspace: 13RU Front & 13RU Rear

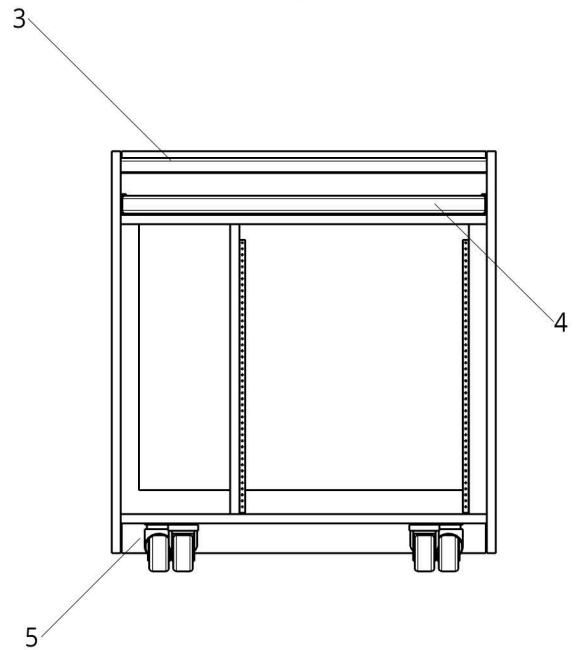
### Technical Specifications

1	Flat Worksurface made of P-Lam
2	Cable Grommits in Worksurface
3	Hardwood Pencil Lip
4	Slide Out Keyboard/Mouse Tray
5	Heavy Duty Casters User Side Locking
6	Locking Removable Access Panel

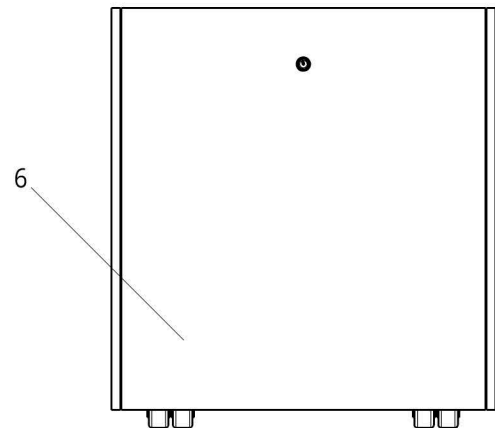
Top



Front



Back

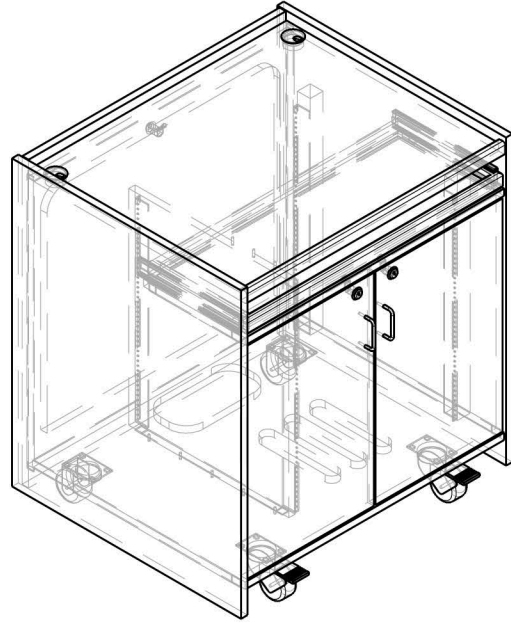




# MILLER'S

## Presentation Furniture

Isometric View  
(Hidden lines shown)

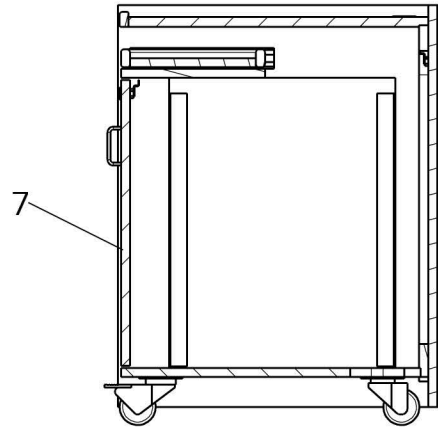


Side

(Sidepanel hidden)

### Technical Specifications

7	Hinged Locking Door
8	Ventilation Slots
9	Cable Pass



Bottom

