

MILLER'S

Presentation Furniture



Classroom Series 25" - WS 34"

Data Sheet



MILLER'S

Presentation Furniture

Dimensions

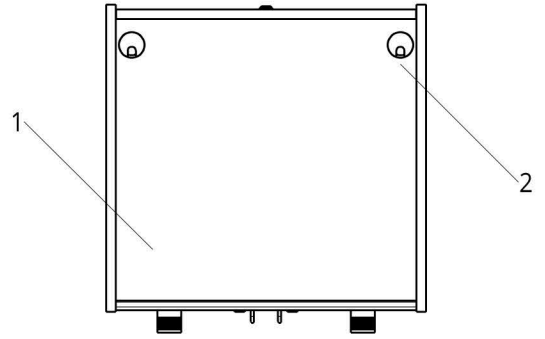
25" W x 24" D x 35" H

Rackspace: 13RU Front & 13RU Rear

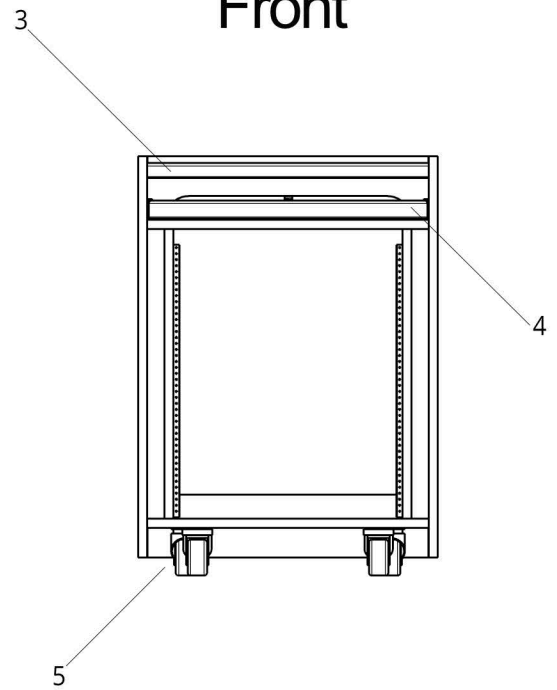
Technical Specifications

1	Flat Worksurface made of P-Lam
2	Cable Grommits in Worksurface
3	Hardwood Pencil Lip
4	Slide Out Keyboard/Mouse Tray
5	Heavy Duty Casters User Side Locking
6	Locking Removable Access Panel

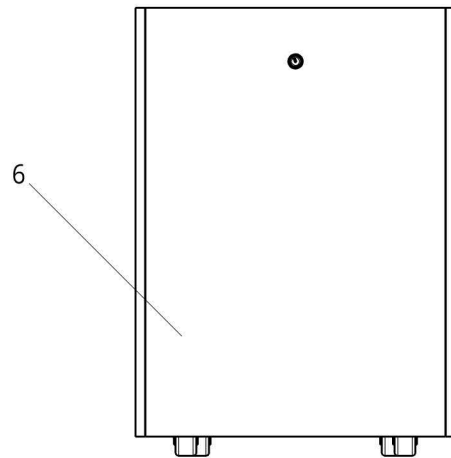
Top



Front



Back

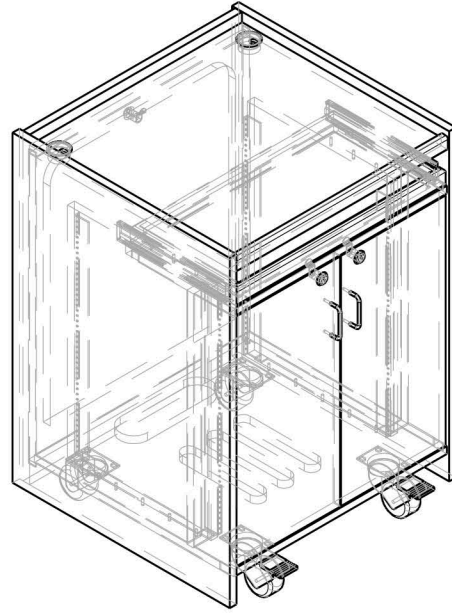




MILLER'S

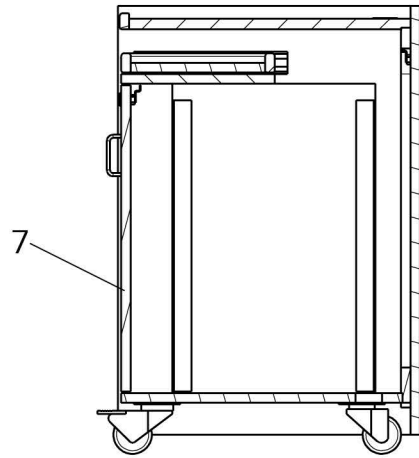
Presentation Furniture

Isometric View
(Hidden lines shown)

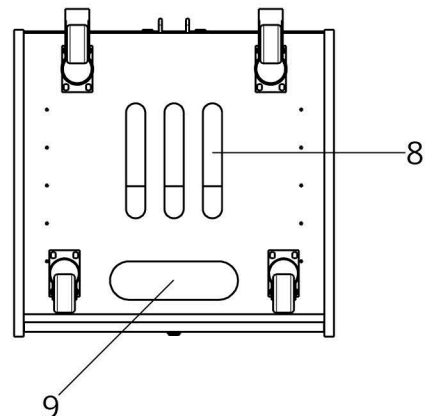


Side

(Sidepanel hidden)



Bottom



Technical Specifications

7	Hinged Locking Door
8	Ventilation Slots
9	Cable Pass