

M I L L E R ' S

Presentation Furniture



MRC20 - 20RU Rack Cabinet

Data Sheet



MILLER'S

Presentation Furniture

Dimensions

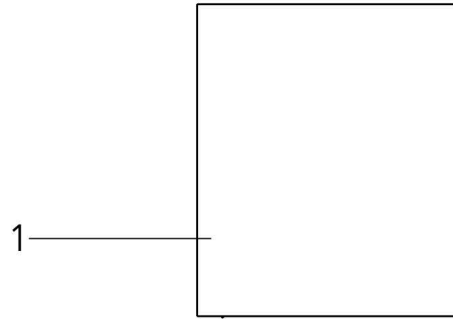
24.625" W x 29.25" D x 40.5" H

Rackspace: 20RU Front (Rear Optional)

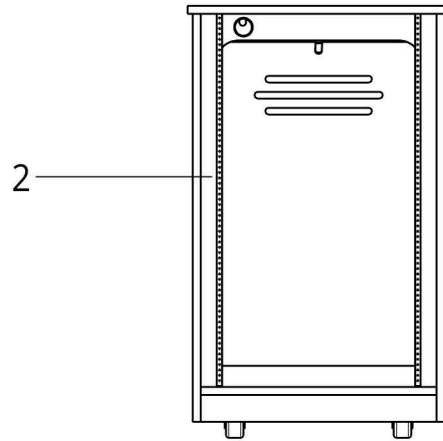
Technical Specifications

1	Flat top of Matching Veneer
2	20RU Front RR Installed (Rear RR Optional)
3	Utility Rail w/ Cable Grommit
4	Locking Removable Access Panel
5	Vent Slots in Access Panel
6	Rear Toe Kick w/ Cable Grommit

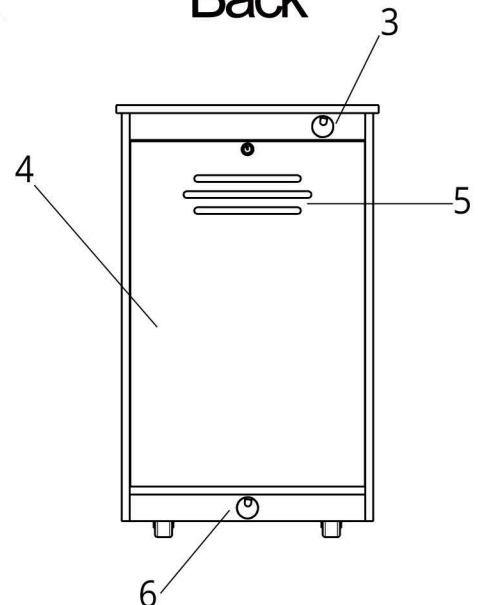
Top



Front



Back

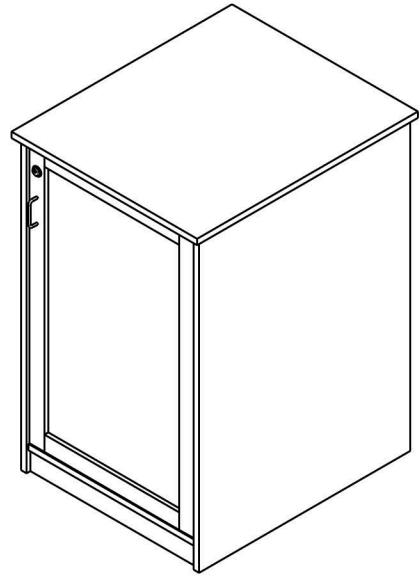




MILLER'S

Presentation Furniture

Isometric View
(Hidden lines shown)

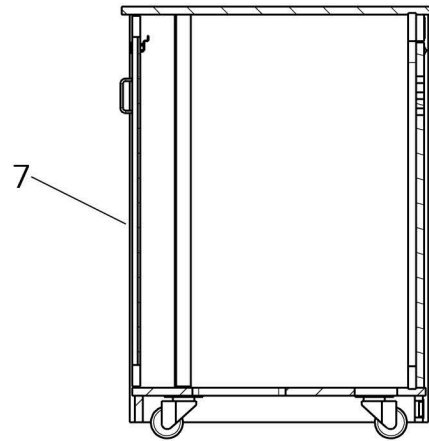


Technical Specifications

7	Hardwood Framed Acrylic Locking Door
8	Cable Pass
9	Heavy Duty Casters
10	Ventilation Slots

Side

(Sidepanel hidden)



Bottom

