

M I L L E R ' S

Presentation Furniture



MRC16 - 16RU Rack Cabinet

Data Sheet



MILLER'S

Presentation Furniture

Dimensions

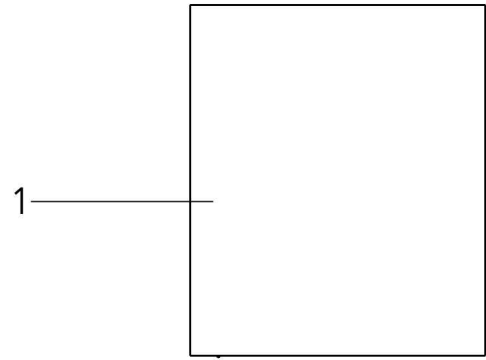
24.625" W x 29.25" D x 33.75" H

Rackspace: 16RU Front (Rear Optional)

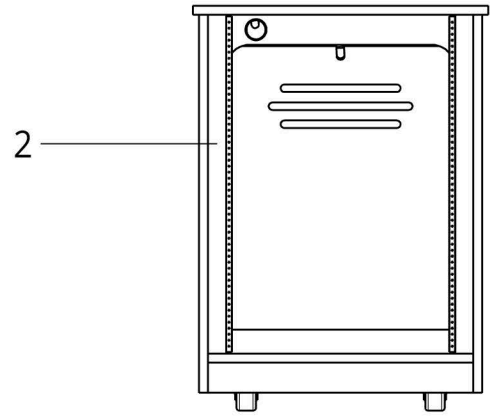
Technical Specifications

| | |
|---|--|
| 1 | Flat top of Matching Veneer |
| 2 | 16RU Front RR Installed (Rear RR Optional) |
| 3 | Utility Rail w/ Cable Grommit |
| 4 | Locking Removable Access Panel |
| 5 | Vent Slots in Access Panel |
| 6 | Rear Toe Kick w/ Cable Grommit |
| | |

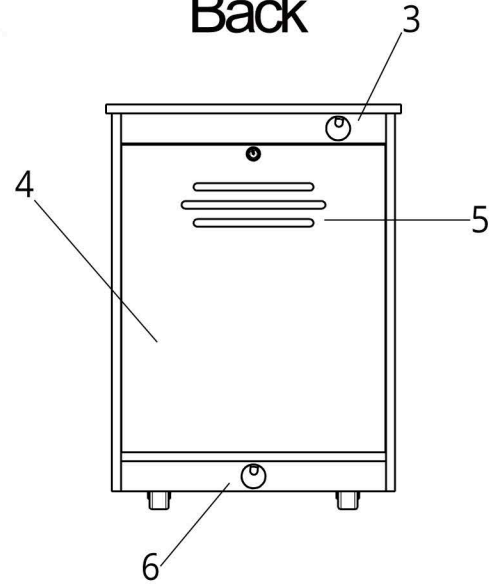
Top



Front



Back

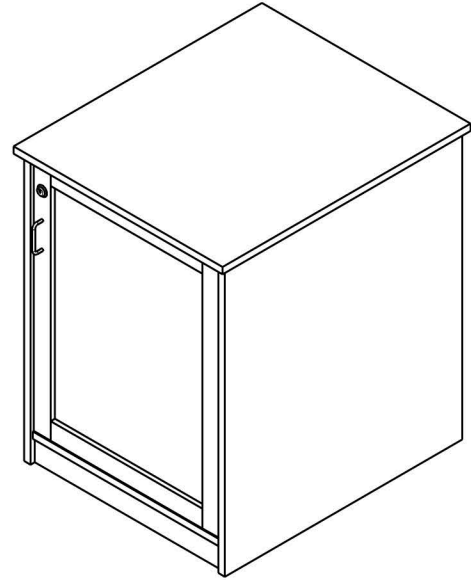




MILLER'S

Presentation Furniture

Isometric View
(Hidden lines shown)

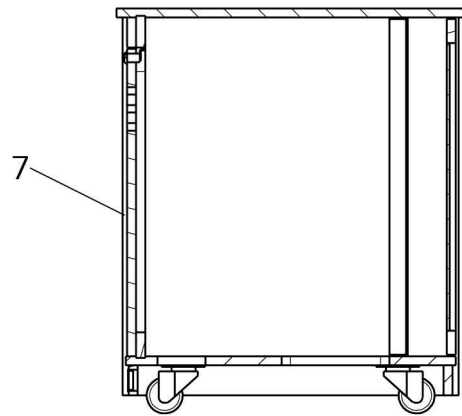


Technical Specifications

| | |
|----|--------------------------------------|
| 7 | Hardwood Framed Acrylic Locking Door |
| 8 | Cable Pass |
| 9 | Heavy Duty Casters |
| 10 | Ventilation Slots |

Side

(Sidepanel hidden)



Bottom

