

**M I L L E R ' S**

**Presentation Furniture**



**MRC13 - 13RU Rack Cabinet**

Data Sheet



# MILLER'S

## Presentation Furniture

### Dimensions

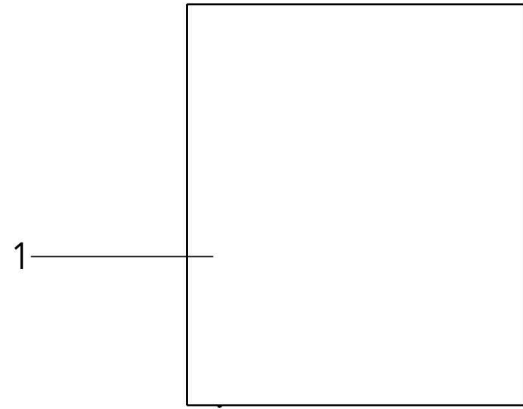
24.625" W x 29.25" D x 28.5" H

Rackspace: 13RU Front (Rear Optional)

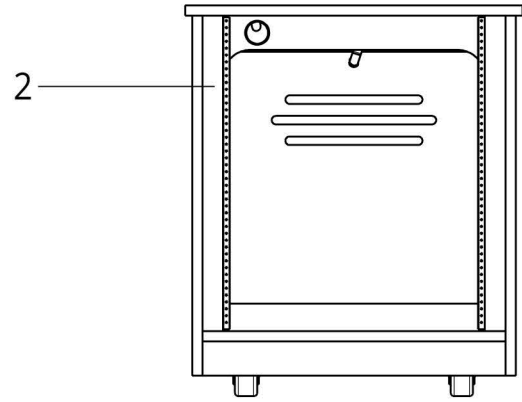
### Technical Specifications

1	Flat top of Matching Veneer
2	13RU Front RR Installed (Rear RR Optional)
3	Utility Rail w/ Cable Grommit
4	Locking Removable Access Panel
5	Vent Slots in Access Panel
6	Rear Toe Kick w/ Cable Grommit

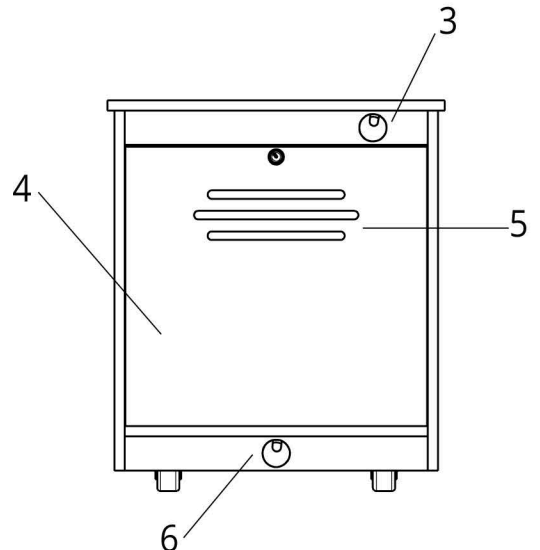
Top



Front



Back

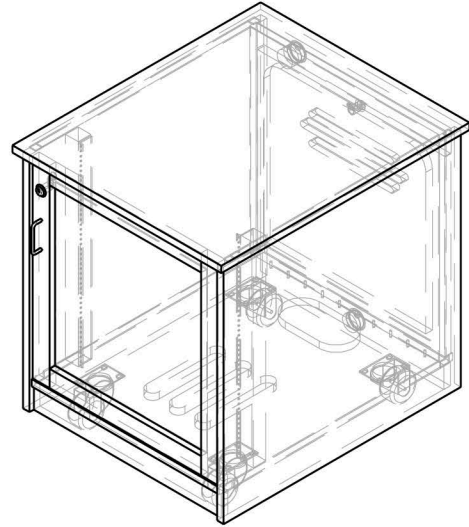




# MILLER'S

## Presentation Furniture

Isometric View  
(Hidden lines shown)

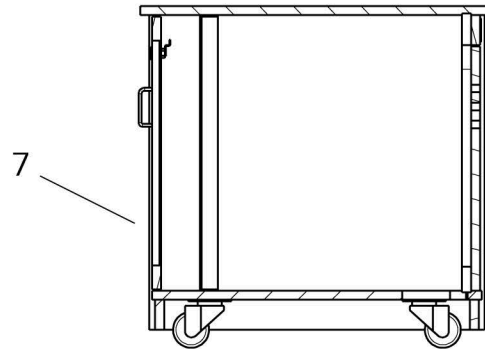


### Technical Specifications

7	Hardwood Framed Acrylic Locking Door
8	Cable Pass
9	Heavy Duty Casters
10	Ventilation Slots

Side

(Sidepanel hidden)



Bottom

