



M I L L E R ' S

Presentation Furniture



EDU-R20 - 20RU Rack Cabinet
Data Sheet



MILLER'S

Presentation Furniture

Dimensions

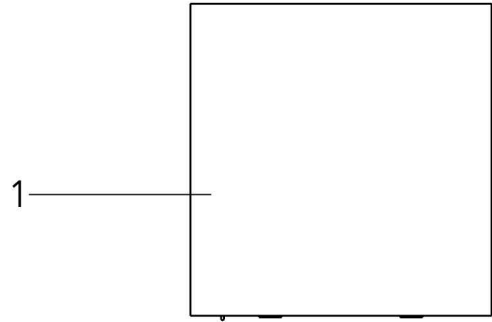
25.125" W x 26" D x 40.75" H

Rackspace: 20RU Front & Rear

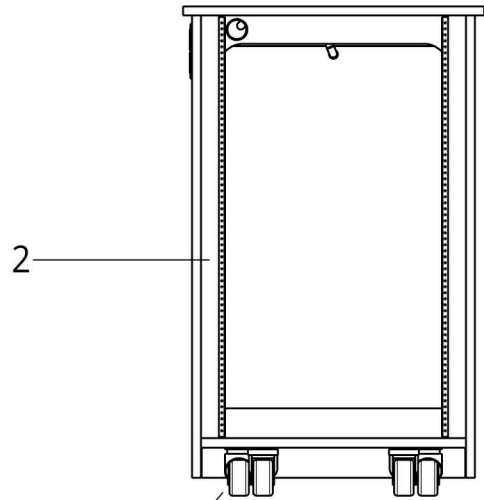
Technical Specifications

1	Top of Matching Melamine
2	20RU Front & Rear Rack Rail Installed
3	Heavy Duty Casters User Side Locking
4	Utility Rail w/ Cable Grommit
5	Locking Removable Access Panel

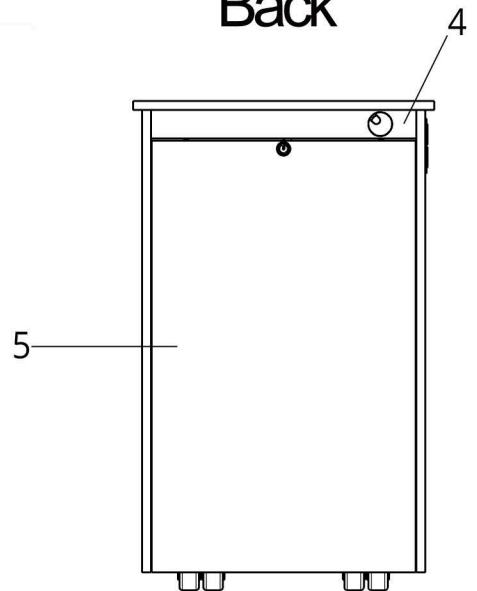
Top



Front



Back

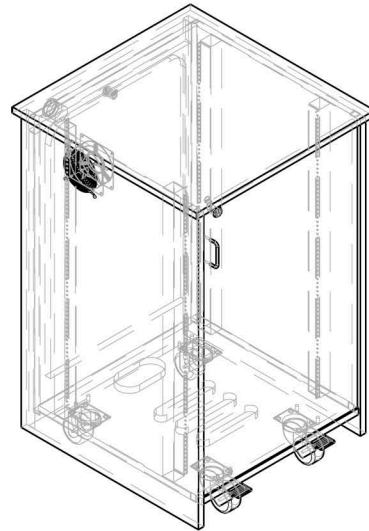




MILLER'S

Presentation Furniture

Isometric View
(Hidden lines shown)

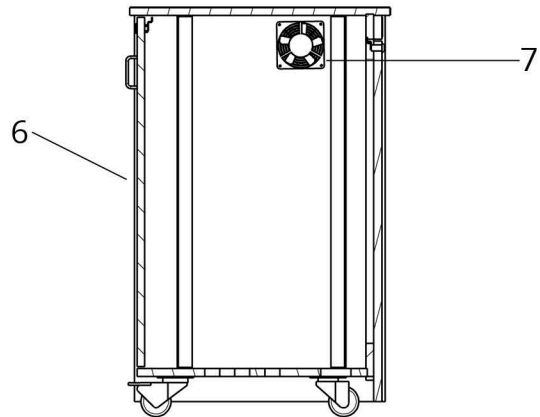


Technical Specifications

6	Hinged Locking Door
7	Quiet Fan Installed in Left Side
8	Ventilation Slots
9	Cable Pass

Side

(Sidepanel hidden)



Bottom

