



# MILLER'S

---

## Presentation Furniture



**EDU-R16 - 16RU Rack Cabinet**  
Data Sheet



# MILLER'S

## Presentation Furniture

### Dimensions

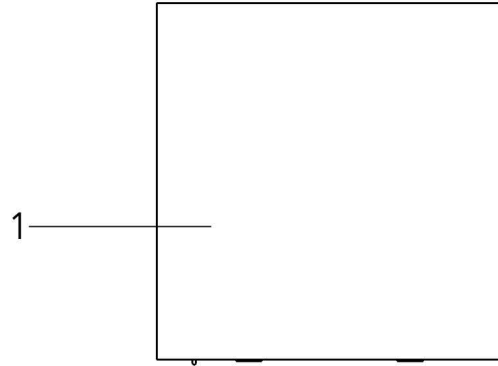
25.125" W x 26" D x 33.625" H

Rackspace: 16RU Front & Rear

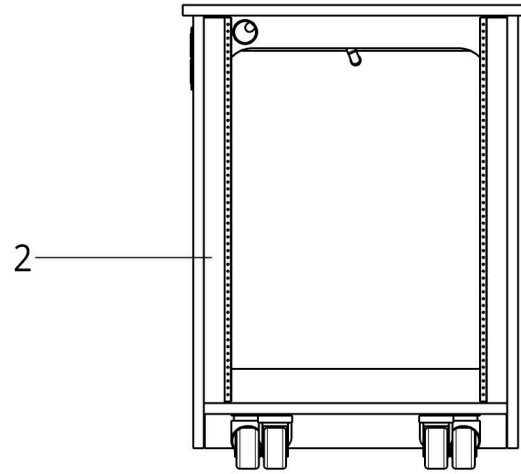
### Technical Specifications

1	Top of Matching Melamine
2	16RU Front & Rear Rack Rail Installed
3	Heavy Duty Casters User Side Locking
4	Utility Rail w/ Cable Grommit
5	Locking Removable Access Panel

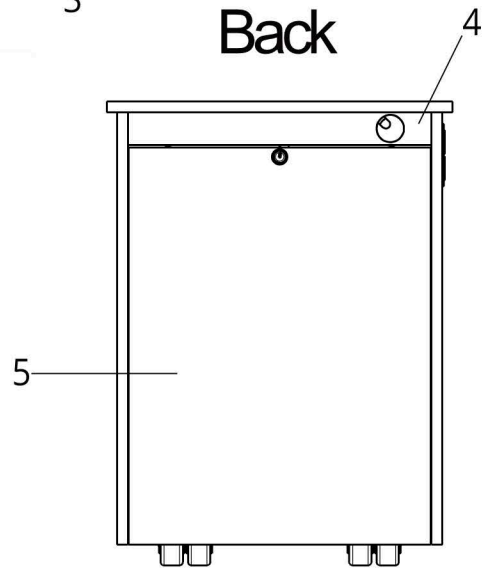
Top



Front



Back





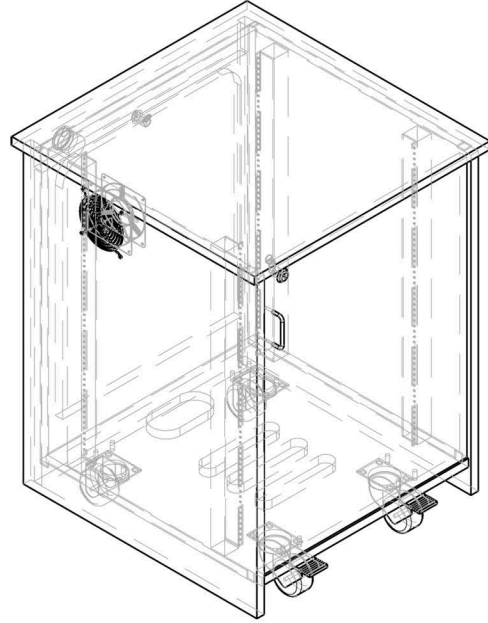
# MILLER'S

## Presentation Furniture

### Technical Specifications

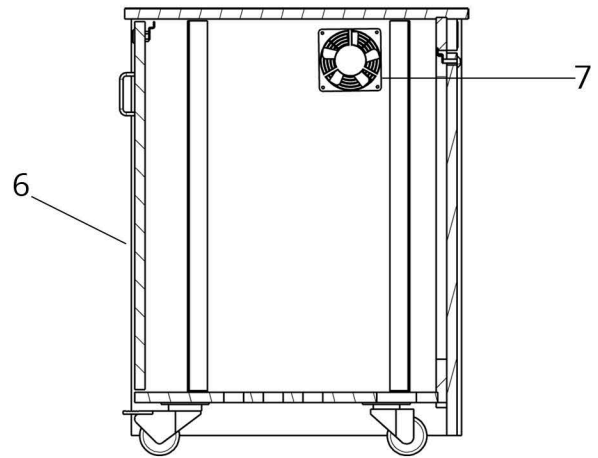
6	Hinged Locking Door
7	Quiet Fan Installed in Left Side
8	Ventilation Slots
9	Cable Pass

Isometric View  
(Hidden lines shown)



Side

(Sidepanel hidden)



Bottom

