



MILLER'S

Presentation Furniture



EDU-L34 - 34" Sloped Side Lectern
Data Sheet



MILLER'S

Presentation Furniture

Dimensions

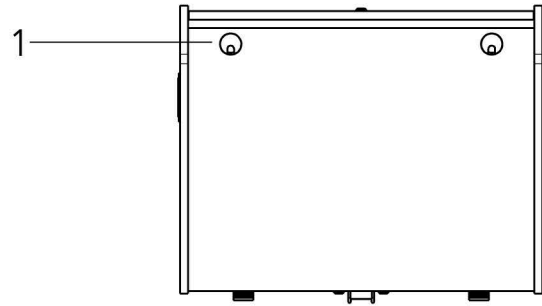
34" W x 27" D x 45" H

Rackspace: 16RU Front & Rear

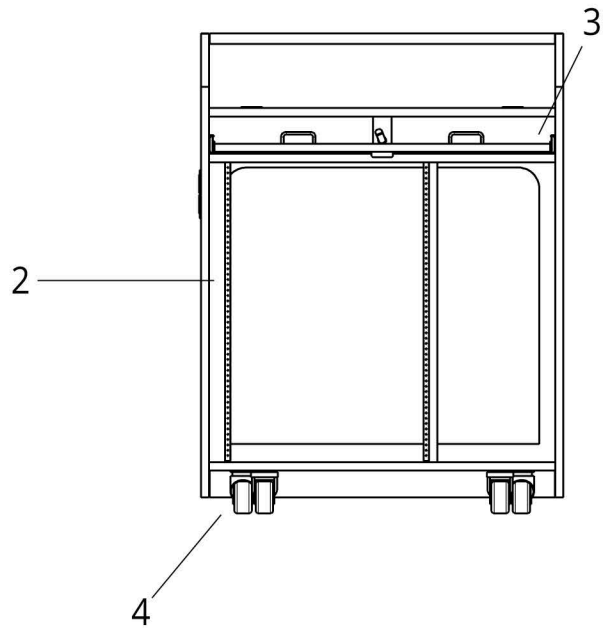
Technical Specifications

1	Cable Grommits in Worksurface
2	16RU Front & Rear Rack Rail Installed
3	Slide Out Keyboard/Mouse Tray
4	Heavy Duty Casters User Side Locking
5	Locking Removable Access Panel

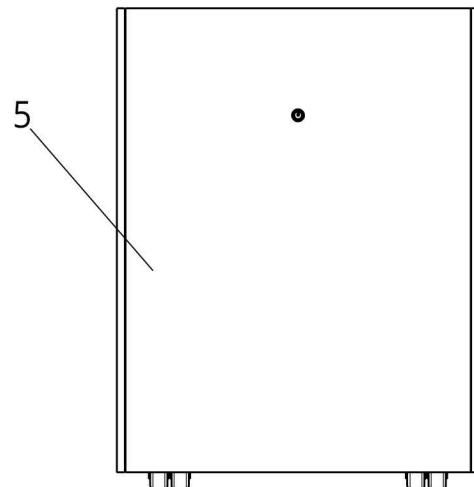
Top



Front



Back

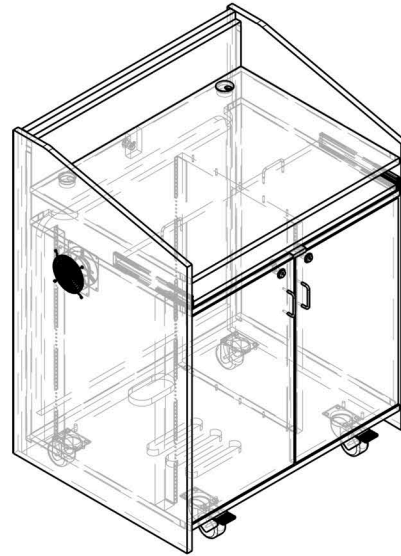




MILLER'S

Presentation Furniture

Isometric View
(Hidden lines shown)

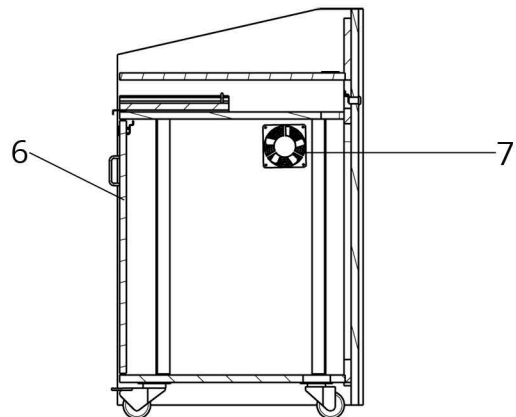


Technical Specifications

6	Hinged Locking Door
7	Quiet Fan Installed in Left side
8	Cable Pass
9	Ventilation Slots

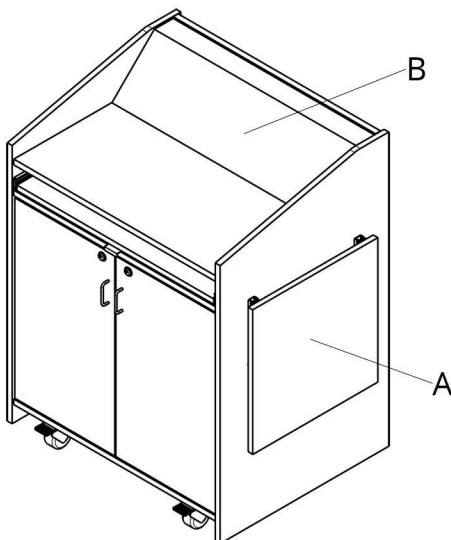
Side

(Sidepanel hidden)



Options:

A	Flip Up Side Shelf Left and/or Right Side
B	Sloped Dashboard Backsplash on Worksurface



Bottom

