

M I L L E R ' S

Presentation Furniture



EDU-F25 - 25" Flat Top Lectern

Data Sheet



MILLER'S

Presentation Furniture

Dimensions

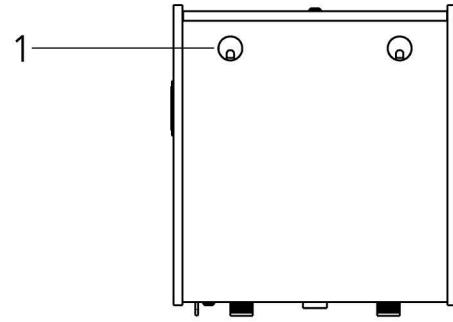
23.625" W x 25" D x 39" H

Rackspace: 16RU Front & Rear

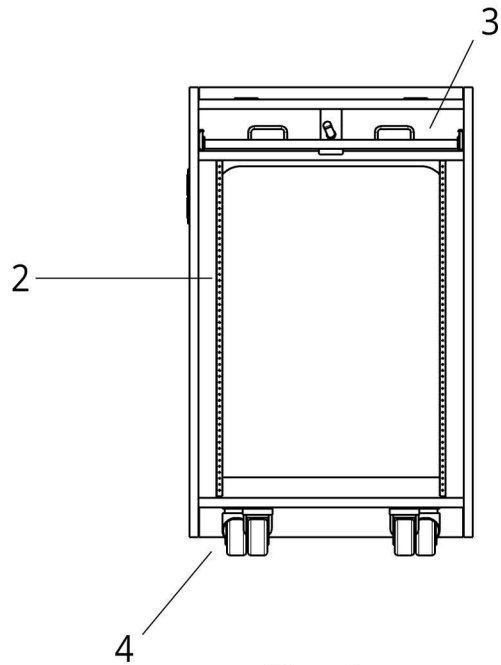
Technical Specifications

1	Cable Grommits in Worksurface
2	16RU Front & Rear Rack Rail Installed
3	Slide Out Keyboard/Mouse Tray
4	Heavy Duty Casters User Side Locking
5	Locking Removable Access Panel

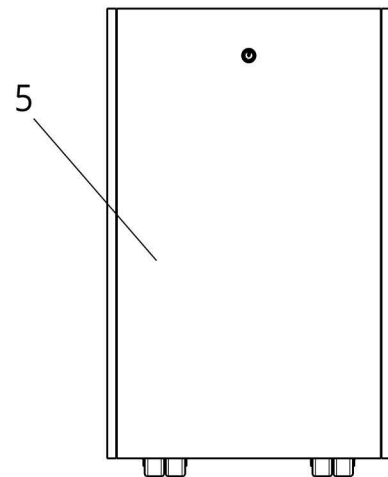
Top



Front



Back

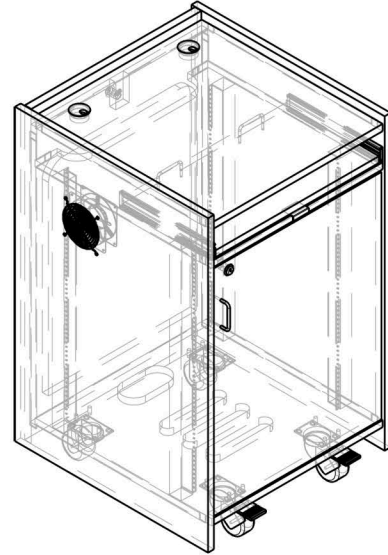




MILLER'S

Presentation Furniture

Isometric View
(Hidden lines shown)

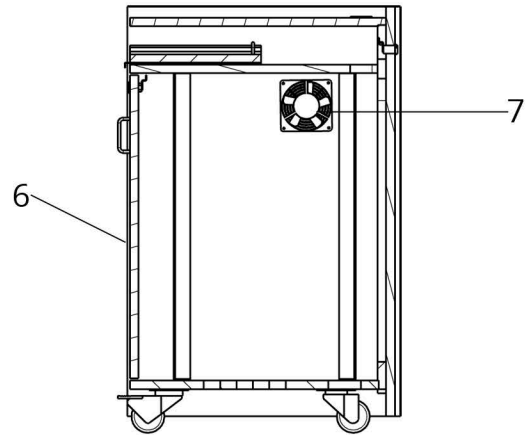


Technical Specifications

6	Hinged Locking Door
7	Quiet Fan Installed in Left side
8	Cable Pass
9	Ventilation Slots

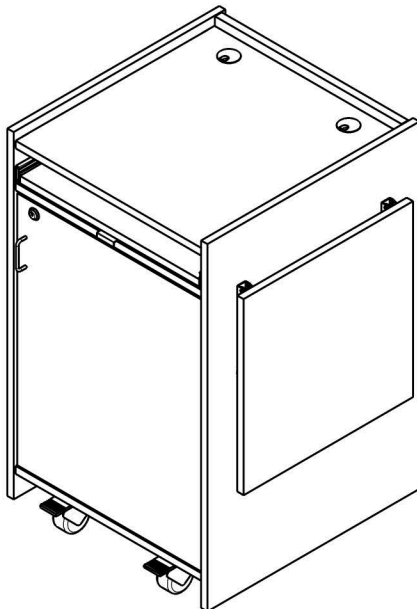
Side

(Sidepanel hidden)



Options:

Flip Up Side Shelf
Left and/or Right Side



Bottom

