

M I L L E R ' S

Presentation Furniture



EDU-C2B - 2 Bay Credenza

Data Sheet



MILLER'S

Presentation Furniture

Dimensions

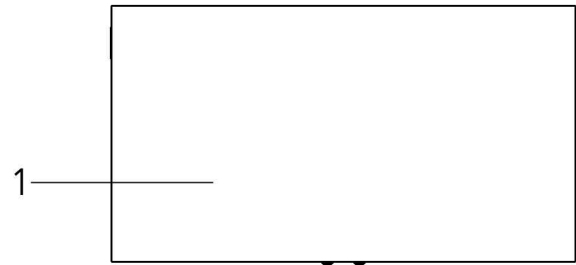
43.5" W x 24" D x 30" H

Rackspace: 13RU Front & Rear

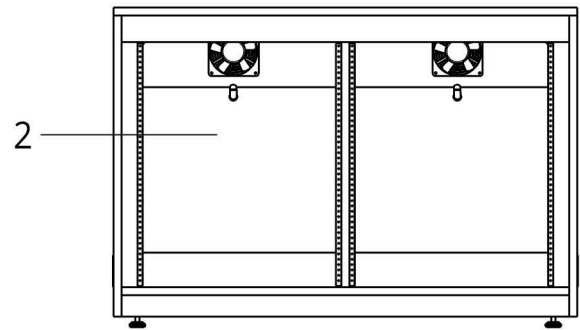
Technical Specifications

1	Top of Matching Melamine
2	13RU Front & Rear Rack Rail Installed
3	Utility Rail w/ Cable Grommit
4	Locking Removable Access Panel
5	Dual Quiet Fans Installed
6	Rear Toe Kick w/ Cable Pass

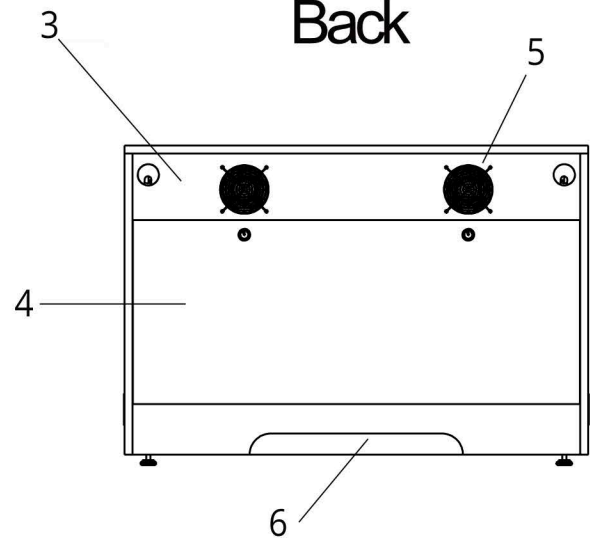
Top



Front



Back

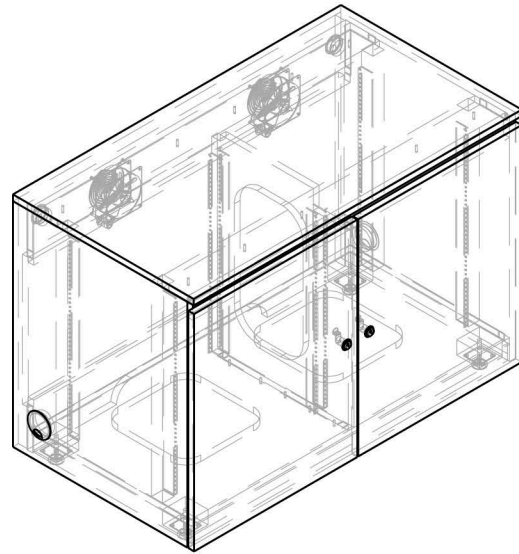




MILLER'S

Presentation Furniture

Isometric View
(Hidden lines shown)

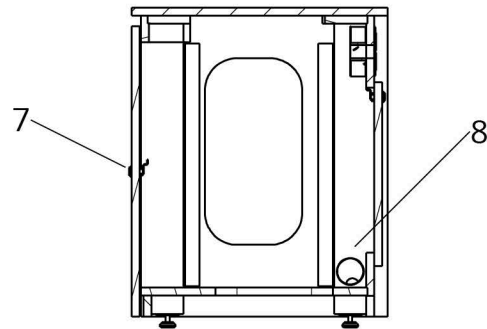


Technical Specifications

7	Hinged Locking Doors
8	Cable Grommets in both sides
9	Cable Pass
10	Leveling Legs

Side

(Sidepanel hidden)



Bottom

