

# M I L L E R ' S

---

## Presentation Furniture



CR45 Series 2-Bay Credenza  
Data Sheet



# MILLER'S

## Presentation Furniture

### Dimensions

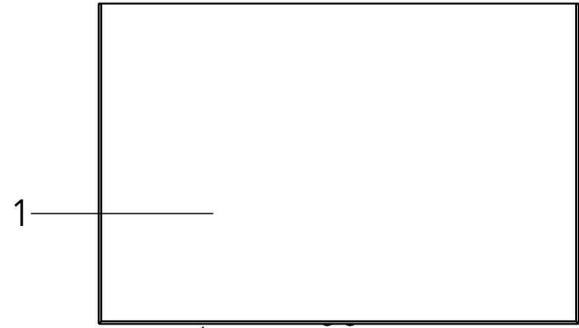
45" W x 30" D x 31" H

Rackspace: 14RU Front & Rear

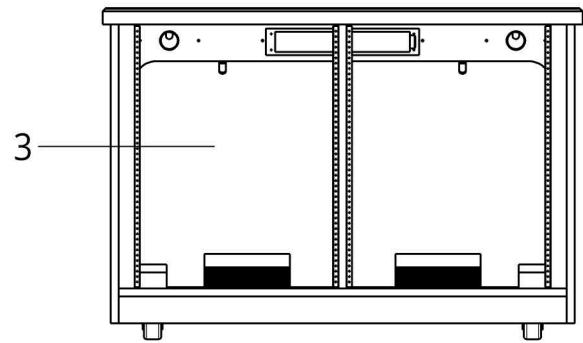
### Technical Specifications

1	Flat top of Laminate/Veneer
2	Hardwood Wrapped Top Edge
3	Installed Front/Rear Rack Rail - 14RU
4	Utility Rail w/ Cable Grommits
5	Thermostatically Controlled Fan
6	Locking Removable Access Panel
7	Wire Brush Cable Pass Through

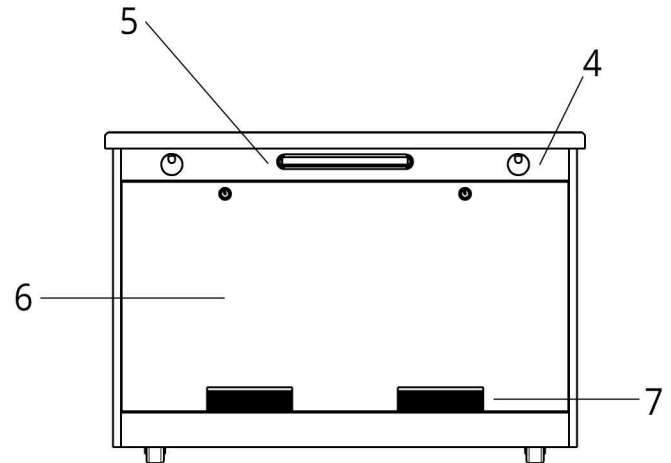
Top



Front



Back

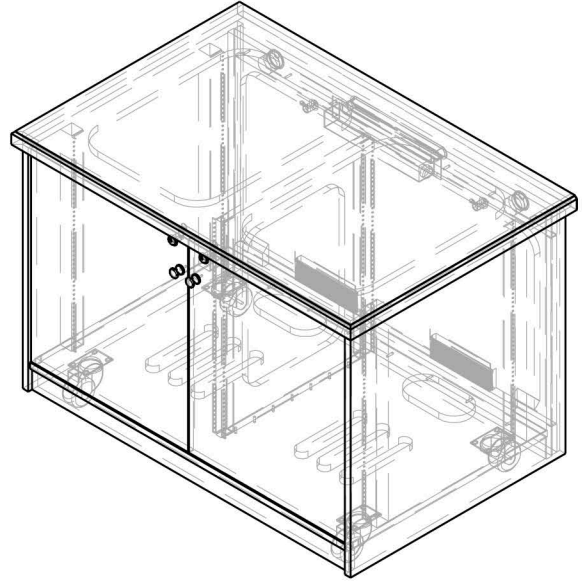




# MILLER'S

## Presentation Furniture

Isometric View  
(Hidden lines shown)

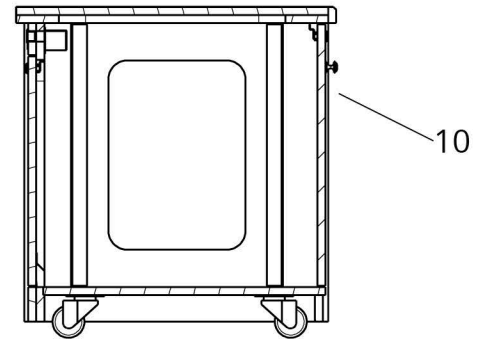


### Technical Specifications

10	Hinged Locking Door
11	Cable Pass
12	Heavy Duty Casters
13	Ventilation Slots

Side

(Sidepanel hidden)



Bottom

