

M I L L E R ' S

Presentation Furniture



CR25 Series 1-Bay Credenza
Data Sheet



MILLER'S

Presentation Furniture

Dimensions

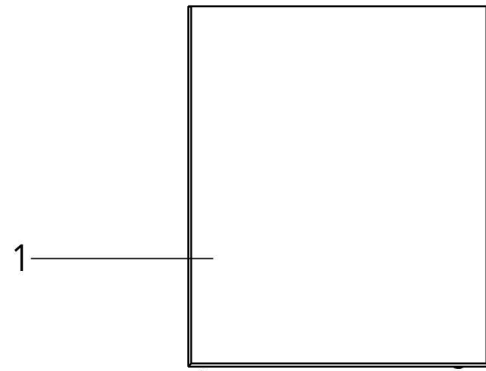
25.125" W x 30" D x 31" H

Rackspace: 14RU Front & Rear

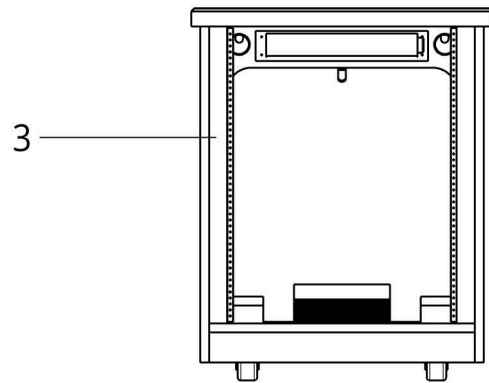
Technical Specifications

1	Flat top of Laminate/Veneer
2	Hardwood Wrapped Top Edge
3	Installed Front/Rear Rack Rail - 14RU
4	Utility Rail w/ Cable Grommits
5	Thermostatically Controlled Fan
6	Locking Removable Access Panel
7	Wire Brush Cable Pass Through

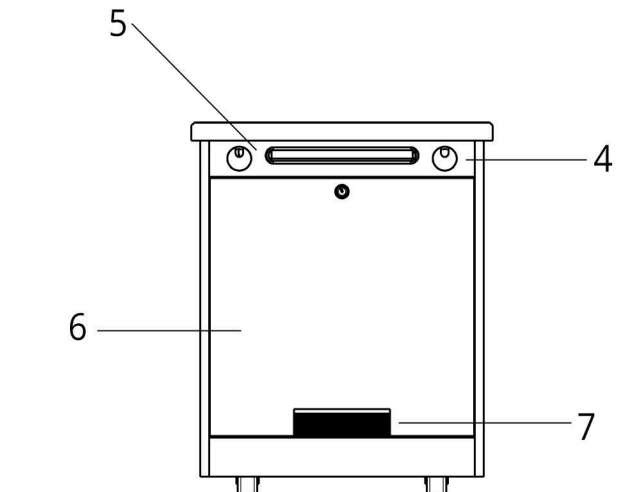
Top



Front



Back

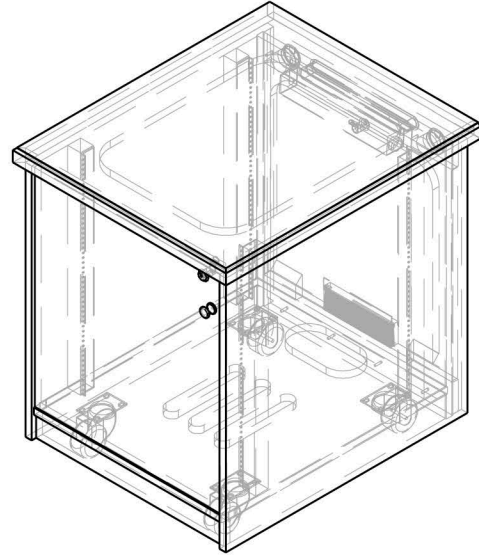




MILLER'S

Presentation Furniture

Isometric View
(Hidden lines shown)

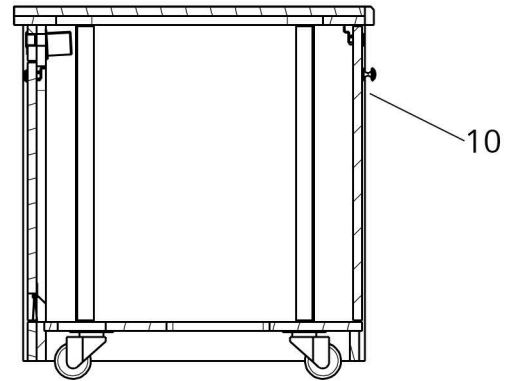


Technical Specifications

10	Hinged Locking Door
11	Cable Pass
12	Heavy Duty Casters
13	Ventilation Slots

Side

(Sidepanel hidden)



Bottom

