



**Miller's Millworks**



# **INSTRUCTOR-25 L1**

**Data Sheet**

# INSTRUCTOR-25 L1

The Instructor 25 Level 1 comes with a fixed shelf and an open base cabinet below the main work surface. This product is available in a variety of wood species with clear lacquer finish. We also offer standard Miller's stain colors, or custom color matching for and additional charge. These are pre-engineered for quick turn-around and delivery.

Front Perspective



Rear Perspective



Presenter's View



Instructor Level 1 Line-Up (Scaled Proportionally)



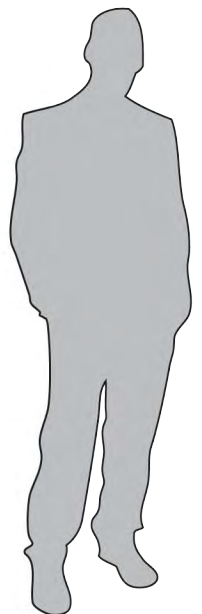
Instructor 25



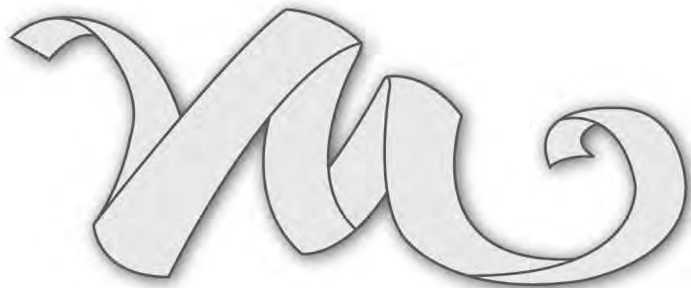
Instructor 32



Instructor 36



6' Person



Miller's Millworks

### Dimensions

25" L X 25" W X 45" H

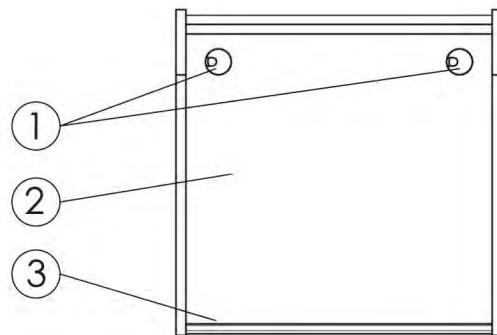
9" of space to the fixed shelf

23.5" of space in the base cabinet

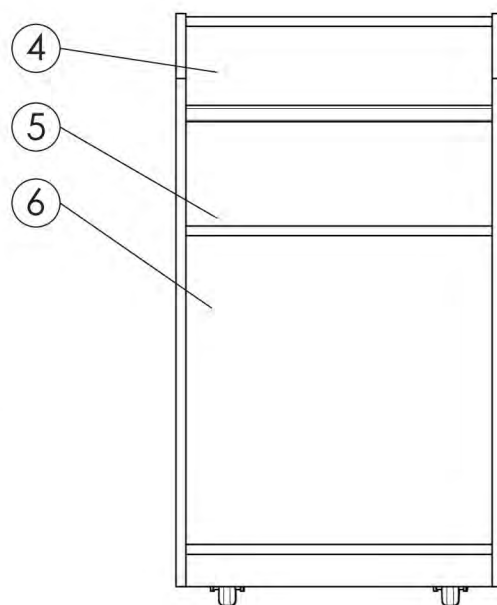
### Technical Specifications

1	1.75" Cable grommets on work surface
2	Flat work surface of charcoal matrix laminate
3	Hardwood pencil lip
4	Verticle back splash of charcoal matrix laminate
5	Fixed shelf 9" below work surface
6	Open base cabinet
7	Cap rail above back splash
8	Fixed audience side panel (no access)

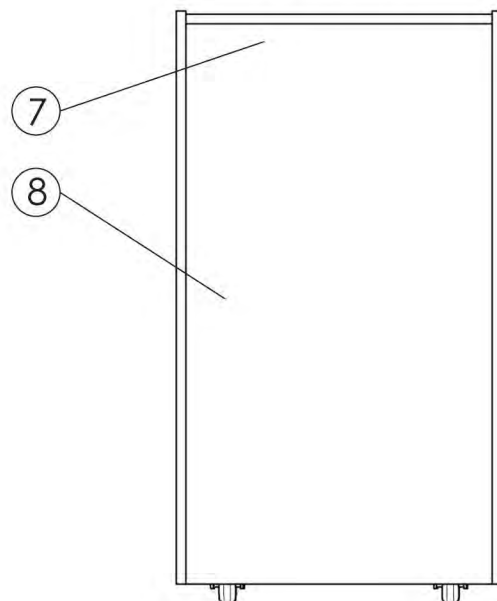
Top  
(Cap Rail Hidden)



Front

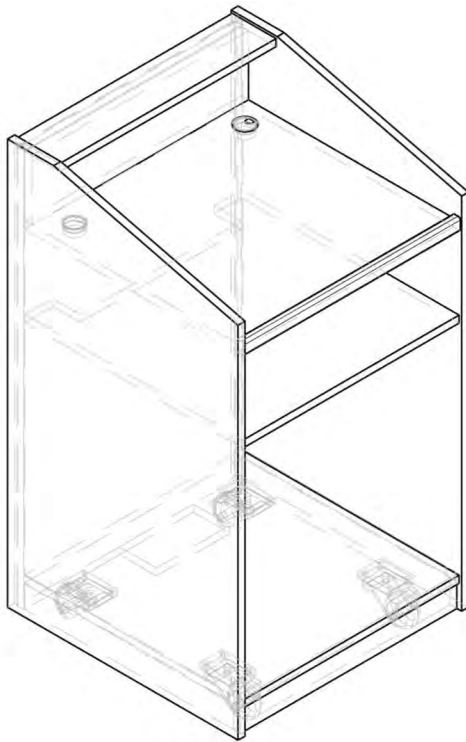


Back



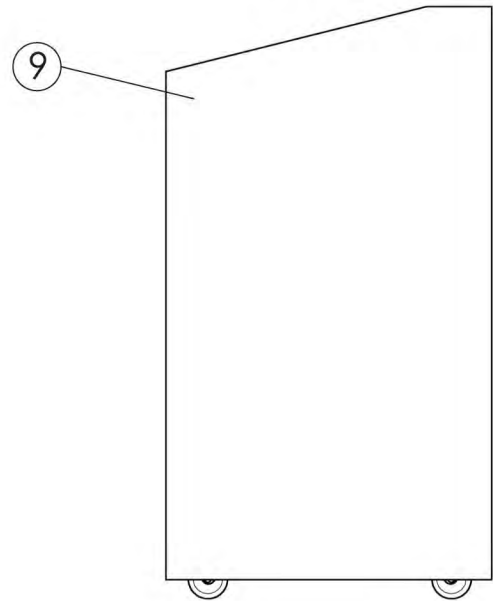


Miller's Millworks

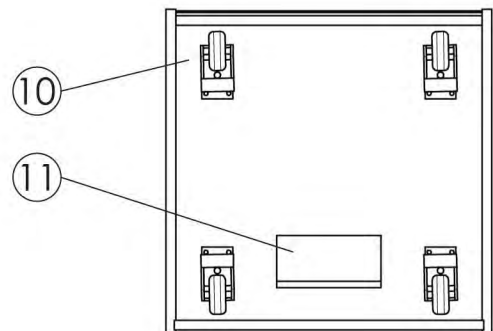


Isometric View  
(With Hidden Lines Shown)

Side



Bottom



### Technical Specifications

9	Simple side profile design
10	Heavy duty swivel casters
11	Equipment cable pass