

MILLER'S MILLWORKS



CR Series 4-Bay Credenza

Data Sheet

CR Series 3-Bay Credenza

Miller's has reset the standard for boardroom credenzas. Just pick your color and the rest is taken care of. With standard cooling fans, cable management, security and equipment rails. The Miller's CR Series completes any boardroom.

Front



Rear



Interior (Doors hidden)



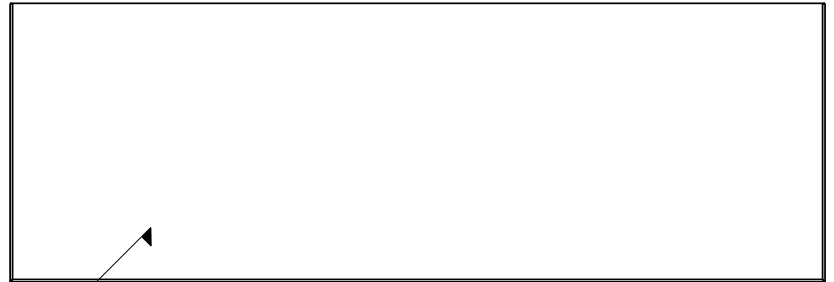
MILLER'S MILLWORKS

Top

Dimensions

87.75" W X 30" D X 31" H

Rack space: 14 front/12 rear



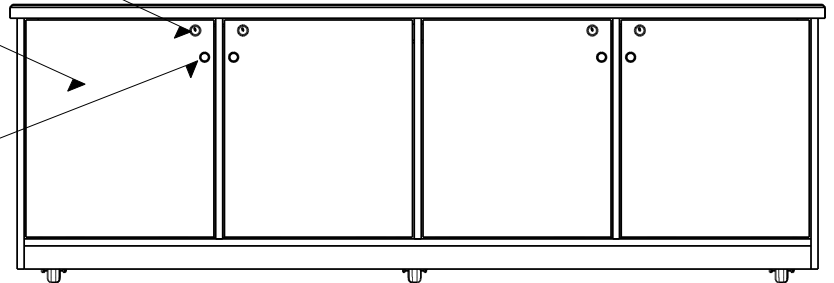
1

Front

2

3

4



Technical Specifications

1	Flat top surface of veneer or laminate
2	Lock
3	Solid front hinged doors
4	Knob
5	Thermostatically controlled fan unit
6	Cable grommet
7	Lock
8	Removable locking access panel
9	Wire management brushes

5

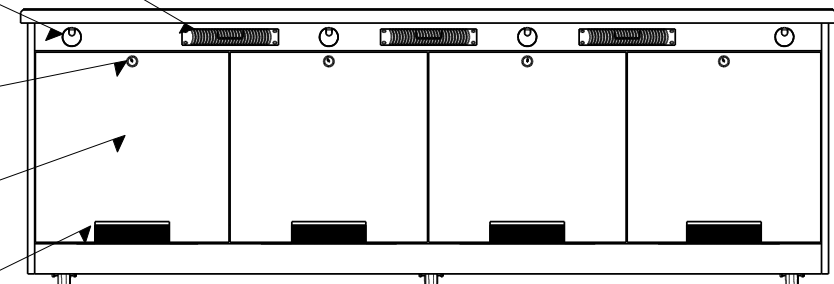
6

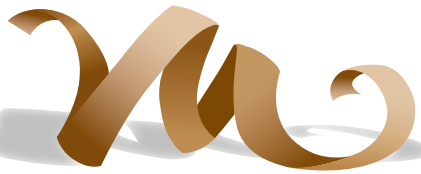
7

8

9

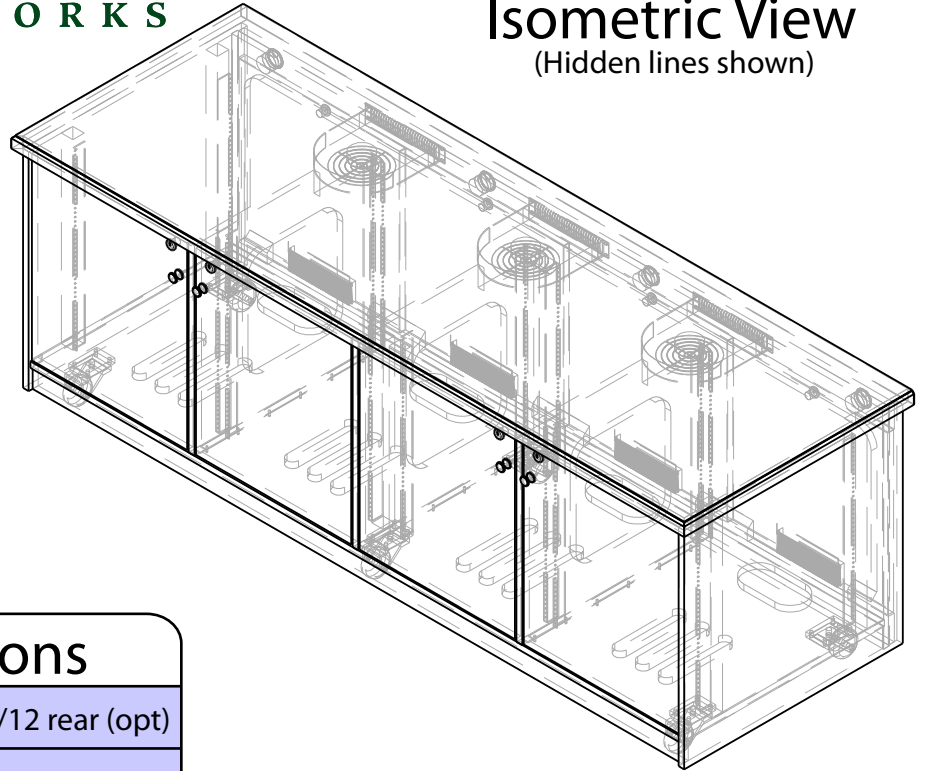
Back





MILLER'S MILLWORKS

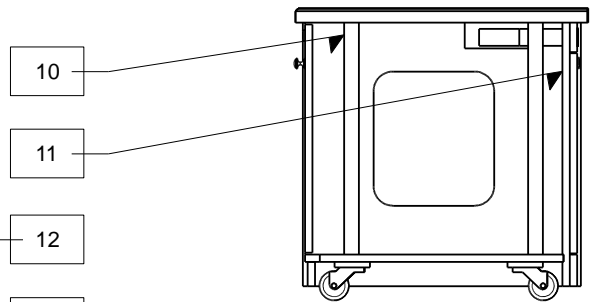
Isometric View
(Hidden lines shown)



Technical Specifications

10	Installed front rack rails: 14 front/12 rear (opt)
11	Structural MDF support ring
12	Heavy duty swivel casters
13	Rack bay ventilation slots
14	Equipment cable pass

Side
(Side panel hidden)



Bottom

