



MILLER'S
Presentation Furniture



DESIGNSTUDIO



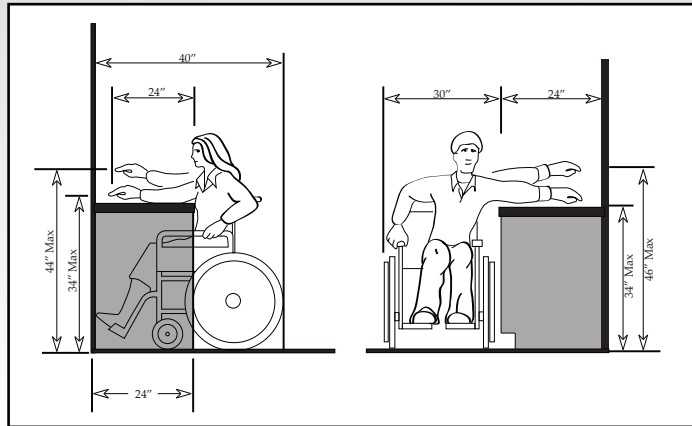
MILLER'S
Presentation Furniture

Miller's is a furniture manufacturer located in Western New York, dedicated to supplying products to the professional audio visual industry. Incorporated in 1996, Miller's has continued to grow serving the AV furniture needs of integrators, colleges, corporations and government nationwide. Our business philosophy is simple; work to determine the client's exact needs, supply a quality product, deliver when promised, and provide unparalleled service after the sale.

As our client base continues to grow, we have entered a new phase in our business development. We are now doing business as Miller's Presentation Furniture. We believe our new name more accurately reflects our commitment to the AV industry, and those who recognize the need for reliable suppliers in it's fast paced environment. We look forward to working for you.



ADA REQUIREMENTS



The Americans with Disabilities Act (ADA) establishes guidelines by which people with disabilities are afforded the same or similar access to items in the workplace as those who are not disabled. Naturally, when creating an A-V environment for ADA compliance, designers are faced with decisions on how to best implement their solutions so everyone can access the equipment comfortably. At Miller's, we have been researching the potential solutions for furniture design to help your organization achieve this goal. To review some of the ADA regulations, we suggest these websites:

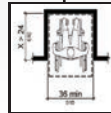
- askjan.org (Job Accommodation Network)
- disability.gov
- ADA.gov

Below are some suggestions for planning your next furniture project.

Miller's Suggestions:



1. Consider who will be using the equipment. Perhaps you have very tall users, or do your users need to present from a seated position?



2. Pay close attention to the amount of space surrounding the furniture. Is it sufficient for easy wheelchair access?



3. When deciding on hardware, U or D shaped handles are best suited for door and drawer pulls. Proper hardware can assist users with physical limitations.



4. Mount computer screens and touch panels to articulating arms. Doing so will allow seated and standing presenters the flexibility to create their own sight lines and work space. This also allows a user to control glare from overhead lighting.



5. Keep touch panels, outlets and other user features within easy reach of the presenter. These features should be mounted no further than 24" from the user.



6. Non reflective, low glare surfaces not only help with video capture and lighting, but also reduce eye strain, and can assist the visually impaired.

CLASSIC LECTERN

The Miller's Classic Lectern is just that ... classic. Clean, straight lines, and our exclusive recessed front panel create a distinctive look that enhances any setting. Equally fitting for the classroom or boardroom, the Classic can be designed to accommodate your specific needs.



The Classic is fully customizable and can be ordered in any size, as well as height adjustable.

INSTRUCTOR SERIES

The Instructor Lectern is pre-engineered in 3 popular sizes. Many of the most popular options are available in any model. The perfect solution for the cost conscious consumer. Based on our popular Classic Lectern, the Instructor can fill most lectern requirements, and because of our pre-engineered designs, is often available for quicker delivery.



MODELS

Instructor 25:
25"W x 24"D x 45"H

Instructor 32:
32"W x 27"D x 48"H

Instructor 36:
36"W x 30"D x 48"H



** AV equipment illustrated not included

CLASSROOM SERIES

MODELS

Classroom 25:
25"W x 24"D x 39"H

Classroom 32:
32"W x 27"D x 39"H

Classroom 36:
36"W x 30"D x 39"H

Classroom 43:
43.5"W x 30"D x 39"H

With its flat top and lower profile, the Classroom Series lectern allows for clearer sight lines, enhancing instructor/student communication. Furthermore, the lower profile makes for easier viewing of monitors and screens which may be behind the lectern.

With a long list of standard features, and pre-engineered in 4 popular sizes, the Classroom lectern is easy to order and cost friendly. Available in standard or ADA compliant heights.



LECTURE SERIES

If you are looking for a more traditional style lectern, our Lecture Series is for you. Available with or without exterior recessed reveal, the Lecture Series enhances any space with this ageless design. Mitered corners create a perfect 90° angle and smooth transition from front to side panels.



The Lecture is fully customizable and can be ordered in any size, as well as height adjustable.

RADIUS SERIES

For a more contemporary appearance, consider our Radius Lectern. The curved front corners offer a gentle transition from front to side panels. The curved edge can be blended into the unit or finished with a contrasting material. The Radius can be ordered with all of the features available on other models.



The Radius is fully customizable and can be ordered in any size, as well as height adjustable.

PEDESTAL SERIES

With a wide work surface and streamlined base, the Pedestal Lectern continues to be one of our more popular models. The large customizable work space, and base that can accommodate shelves or racks, makes the Pedestal fully functional for almost any application.



As with most millers lecterns the pedestal lectern is available in height adjustable models.

MMC MOBILE MEDIA CENTER

Miller's Mobile Media Center is the ultimate in flexibility for today's changing classroom environment. With plenty of open space inside, this cabinet can be re-configured, allowing the end user to upgrade or change classroom technology without replacing the cabinet.

The MMC can be constructed of a high strength polymer product which qualifies as a LEED Green Building Material.

You can have the latest in classroom functionality and still work towards a better environment.

The MMC comes in 44", 38" and 32" widths.



MRC MOBILE RACK CABINETS

MODELS

MRC-13: Installed 13RU rack front only

28.5”h 24.625”w 29.25”d

MRC-16: Installed 16RU rack front only

33.75”h 24.625”w 29.25”d

MRC-20: Installed 20RU rack front only

40.5”h 24.625”w 29.25”d

MRC-24: Installed 24RU rack front only

47.75”h 24.625”w 29.25”d

Much like our Instructor Lecterns, the MRC Cabinets are pre-engineered for budget sensitive situations. Each comes with installed front rack rails, hinged front door and swivel casters. They are constructed with our finest hardwood veneers and finished with 3 coats of clear lacquer, and can be stained to match an existing decor*. Locking rear vented panels make installation and servicing a snap.

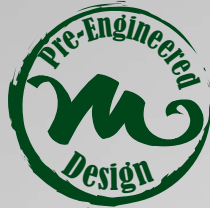
*Some stains at extra charge

*INSTALLERS NOTE

Available Rack Depth:

P-Version - 24”

C-Version - 22”



Optional Rear Rack Rails
and Active Cooling Available.

**AV equipment illustrated not included

CR SERIES CREDENZAS

Miller's has reset the standard for boardroom credenzas. Just pick your color and the rest is taken care of. With standard cooling fans, cable management, security and equipment rails. The Miller's CR Series completes any boardroom.

The CR Series Credenza available in:
CR45 - 2 Bay - 45"W X 30"D X 30"H
CR70 - 3 Bay - 66.375"W X 30"D X 30"H
CR90 - 4 Bay - 87.75"W X 30"D X 30"H
**Custom Sizes Available



- Low profile slim fan - 2 bay 16db, 3 bay 19db * New
- Removable locking rear access panel
- Easy and clean wire management through bottom and rear panels * New
- 6 Outlet power strip mounted in each rack bay
- Stain and scratch resistant HPL top surface
- Hardwood edge
- Locking hinged door over each bay
- 13 Rack units per bay
- Heavy duty carpet glides or carpet casters



NEED SOMETHING MORE CUSTOMIZED?

Let us know what you need! At Miller's, we won't limit your creativity. We will work with you to guarantee your furniture fits your specific application and is delivered on time.

*INSTALLERS TIP

Save time and prevent damage. Build your rack at your shop, request without rack rail, and meet the credenza on site. Miller's CR Series Credenza allows you to fit all of the leading rack frames perfectly into our rack bays. Simply order your credenza without rack rail and let us know the model rack frame you will be installing. Miller's will deliver on site and on time to help keep costs low and prevent damage.

CUSTOM CREDENZAS

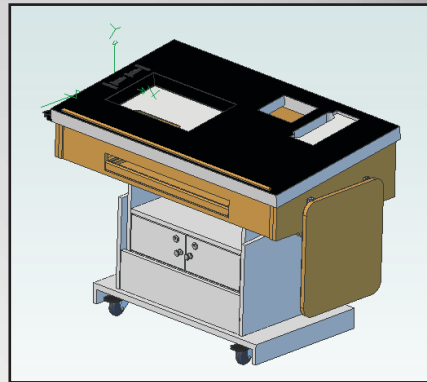
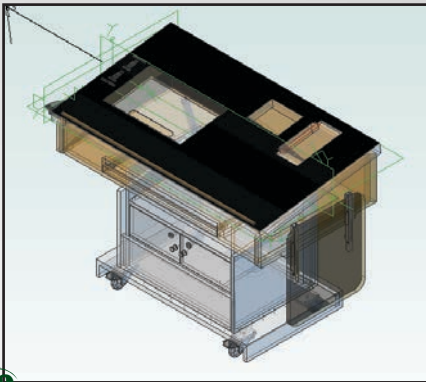
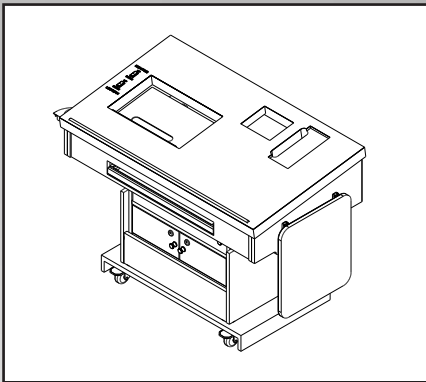
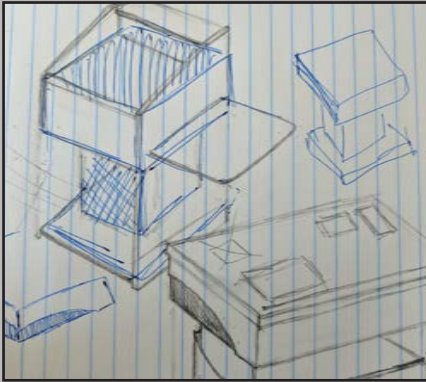


CUSTOM LECTERNS

Miller's Custom Lectern's are exactly that... Custom.

We will work with your design team to come up with the perfect product for your application.

Prices vary per design.



DESKS

Add functionality to any space with a desk designed by Miller's experienced staff. From basic classrooms, to stately executive offices, we can create the perfect desk for your application. The possibilities are endless.



Single rack pedestal with flat work surface



Custom executive with adjustable height

COLLABORATIVE WORK STATIONS

Miller's Collaborative Stations will enhance the communications in any conference or classroom setting. Our stations are innovatively designed to hold a variety of enclosed equipment, and customizable to fit your room size. And unlike other collaborative models, we can custom design the table top for easy installation of your interface devices and clean cabling.



CONFERENCE TABLES

Whether it is a wedge shape for video conferencing, a boat shape for easy viewing of all attendees or the classic rectangle, Miller's can make the perfect table for your conference room or classroom.



Available in all the popular sizes and shapes, our tables can be customized for easy cabling and interface installations. Choose from a variety of surface materials and base combinations. Our design team is here to help.

CABINET OPTIONS



Sliding Keyboard/Mouse Shelf



Slide Out Doc. Cam. Drawer



Removable Access Panel



Installed Rack Rails



Fixed and Adjustable Shelves



Flip Up Side Shelf



Slide Out Side Shelf



Hinged Locking Doors



Locking Pocket Doors



Swing Out Cup Holder



Slide Out Rotating Rack Frame



Heavy Duty Casters

WORKSURFACE OPTIONS



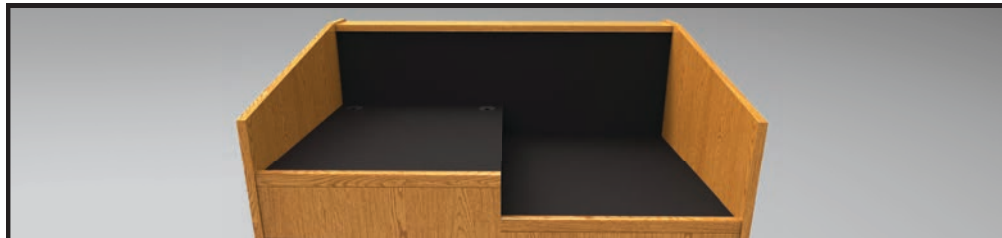
Flush Mount Cut Outs



Full Width Sloped Dashboard



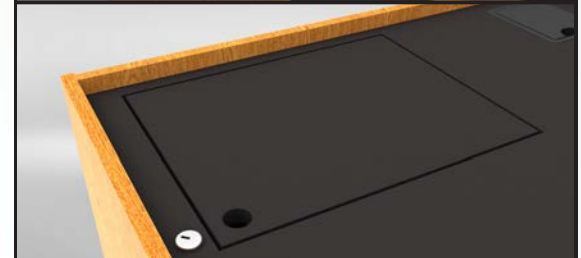
Split Sloped Dashboard



Split Work Surface



Articulating Monitor Arms



Flip And Store Monitor Mount

POWER OPTIONS



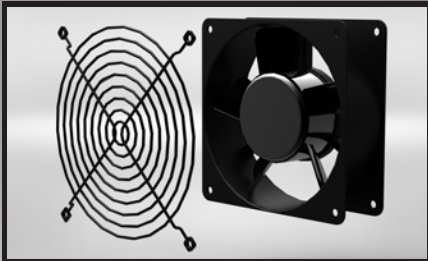
Power Hub - 2USB/2AC



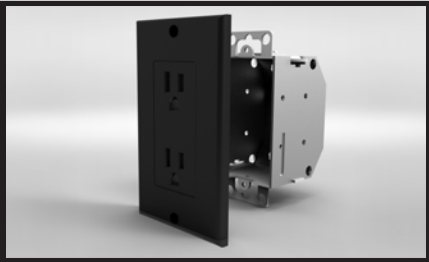
18" Gooseneck Light



ATM Thermo Cool Line 1



Cooling Fan



Single Gang AC Outlet



6 Outlet Power Strip



Digital Countdown Timer



Power Hub 2USB/3AC/Ethernet



LED Strip Light With Dimmer



Digital Clock

SPECIAL OPTIONS



Finger Grip Edges



Custom Molding



Basic Molding Package



Raised Panel



Laminate Radius Corners



Height Adjustability

LOGO OPTIONS



Color Vinyl Decal



Matching Stained Engraved Logo



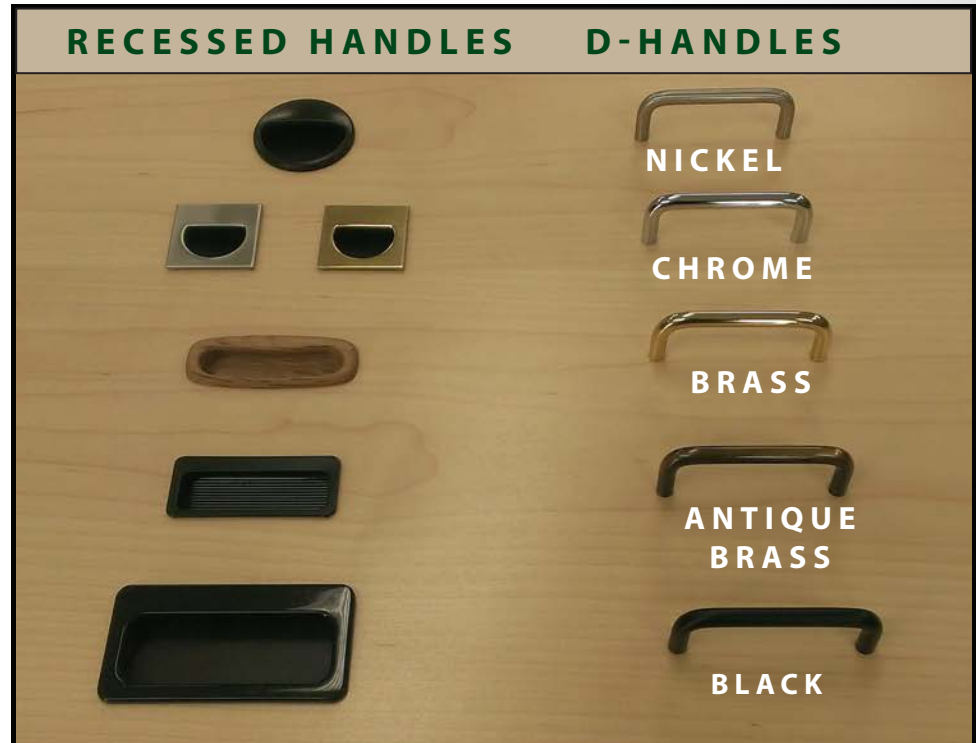
Raised Plaque

HARDWARE OPTIONS



We offer a selection of the most popular hardware options available.

However if there is something in particular you prefer and do not see it listed, please let us know.



Here at Miller's we are committed to protecting our environment. We continually take steps to reduce our environmental impact. Recent improvements such as:

- GreenGuard certified formaldehyde free lacquer is standard for all products. Better air quality for all.
- Recycled panel materials such as: reclaimed barn wood, or King Starboard, a LEED qualified material to help promote your efforts to re-use resources and reduce landfill clutter.
- Rapid renewable materials help reduce de-forestation. Products like Bamboo offer fantastic build properties, with the benefit of the highest indoor air quality.
- Hardwoods and veneers can be sourced as FSC certified materials with any design.

Our planet and environment are important to us. It is our responsibility to ensure we are always working for a cleaner and healthier future.





M I L L E R ' S

Presentation Furniture

29 North Lake Avenue
Bergen, NY 14416

Phone: (585)494-1420 Fax: (585)494-1102
www.millerspresentationfurniture.com